

Stand-Alone Pumps

DUCTILE IRON MINI-PUMP

PMPNT
Pressure Motive Pump

Condensate
Pumps

Model	PMPNT	PMPNTS
Body	Ductile Iron	Stainless Steel
Cover	Stainless Steel	Stainless Steel
Sizes	1", 1 1/2" NPT	1 1/2" FLG or NPT
Check Valves	Stainless Steel	Stainless Steel
PMO Max. Operating Pressure	125 PSIG	125 PSIG
TMO Max. Operating Temperature	366°F	366°F
PMA Max. Allowable Pressure	150 PSIG @ 450°F	150 PSIG @ 450°F



Typical Applications

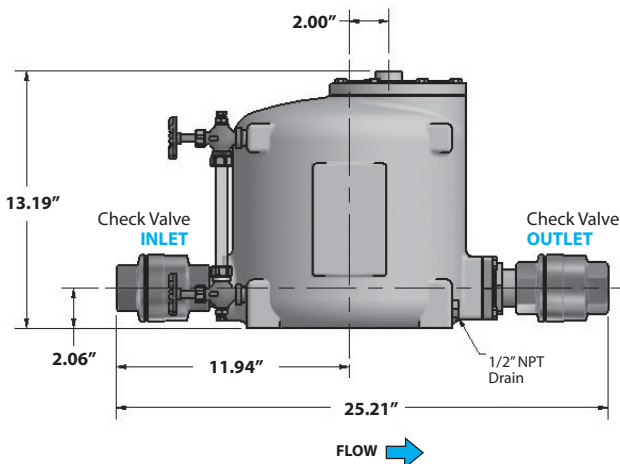
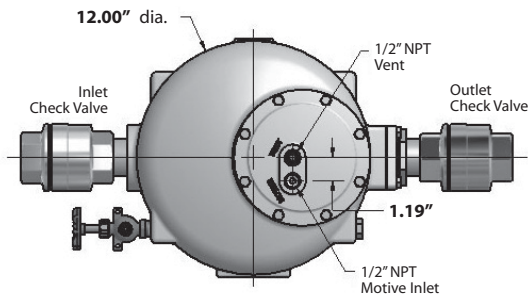
The **PMPNT(S)** non-electric pressure motive pumps are light in weight and have an extremely low-profile. This stand-alone pump is capable of operating with a maximum motive pressure of 125 PSIG provided by steam, air or other gas supply. ASME Code Stamp available upon request.

Features

- Equipped with our proven, **Patented "Snap-Assure"** mechanism which **extends the useful life of the pump**
- Internal mechanism can be removed from the top of the pump while pump remains piped in line
- Mechanism incorporates **heat-treated stainless steel wear items** for ultimate corrosion resistance
- Dual compression springs made from Inconel-X-750 for high-temperature, corrosive service
- **Non-Electric** – can be used in remote locations or NEMA 4, 7, 9 and hazardous areas
- Operates using steam, air, nitrogen or other pressurized gas as the motive force

MATERIALS

Body PMPNT	Ductile Iron SA-395
Body PMPNTS	Stainless Steel CF3M
Cover	Stainless Steel CF8
Cover Gasket	Garlock
Cover Bolts	Steel
Inlet Valve	Hardened Stainless Steel 40 Rc
Vent Valve	Hardened Stainless Steel 40 Rc
Ball Float	300 Stainless Steel
Check Valves	Stainless Steel 316SS CF3
Springs	Inconel-X-750
Other Internal Components	Stainless Steel



Size	Model Code	PMO PSI	Weight lbs
Ductile Iron Pump Body (NPT)			
1" x 1"	PMPNT-1X1-N-SS	125	85
1 1/2" x 1 1/2"	PMPNT-1.5X1.5-N-SS	125	95
Stainless Steel Pump Body (NPT or 150# FLG)			
1 1/2" x 1 1/2"	PMPNTS-1.5X1.5-N-SS	125	95
1 1/2" x 1 1/2"	PMPNTS-1.5X1.5-F150-SS	125	98

The PMPNT Stand Alone Pump consists of pump tank, internal mechanism, and inlet and outlet stainless steel check valves.

CAPACITIES – Condensate (lbs/hr)

Motive Pressure (PSIG)	Back Pressure (PSIG)	6" Filling Head	
		Steam Motive 1" x 1"	Steam Motive 1 1/2" x 1 1/2"
5	2	1225	2131
10	5	1204	2093
10	2	1391	2419
25	15	1171	2037
25	5	1458	2535
50	40	987	1716
50	10	1491	2593
75	60	992	1726
75	40	1262	2195
75	15	1505	2617
100	80	995	1731
100	60	1209	2102
100	15	1545	2687
125	100	997	1734
125	80	1174	2042
125	60	1316	2288
125	15	1570	2731

Note: Multiply Capacity by 1.16 for 12" Fill Head.
Multiply Capacity by 1.28 for 18" Fill Head.