

UC450 Series

Universal Style Quick-Change Connectors

(For use with Universal Quick-Change Trap Modules)

Model	UC450, UC450S, UC450SB UC450SR, UC450SBR, UC450SL, UC450SBL
Sizes	1/2", 3/4", 1"
Connections	NPT, SW, FLG
Body Material	Stainless Steel
PMO Max. Operating Pressure	(trap module dependent)
TMO Max. Operating Temperature	(trap module dependent)
PMA Max. Allowable Pressure	750 PSIG @ 100°F
TMA Max. Allowable Temperature	800°F @ 400 PSIG

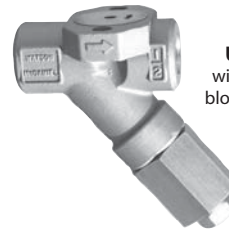
Steam Trap Modules that mount to Universal Connectors are shown on the following pages. Trap modules available in: Inverted Bucket, Float & Thermostatic, Thermodynamic, Thermostatic and Bi-metallic type.



UC450
no strainer



UC450S
with strainer



UC450SB
with strainer &
blowdown valve

Typical Applications

DRIP, TRACER: UC450 Series Universal Trap Connectors reduce the time and manpower to replace steam traps. The stainless steel Connector remains permanently in-line allowing steam trap module to be replaced in minutes. These universal connectors can be used for drip service on steam mains and steam supply lines, tracing, or for small process equipment. Industrial standard 2-bolt universal connectors are commonly used in chemical plants, petrochemical refineries, paper mills, and other industrial facilities. The UC450 connectors conform to industrial standards, making them compatible with other manufacturers' universal steam trap modules.

Used with the following Watson McDaniel Steam Trap Modules:

USIB450	- Inverted Bucket
UTD450	- Thermodynamic
UTD450SM	- Thermodynamic
UTD600LSM	- Thermodynamic
UT450	- Thermostatic
UFT450	- Float & Thermostatic
UB450	- Bi-Metallic

How It Works

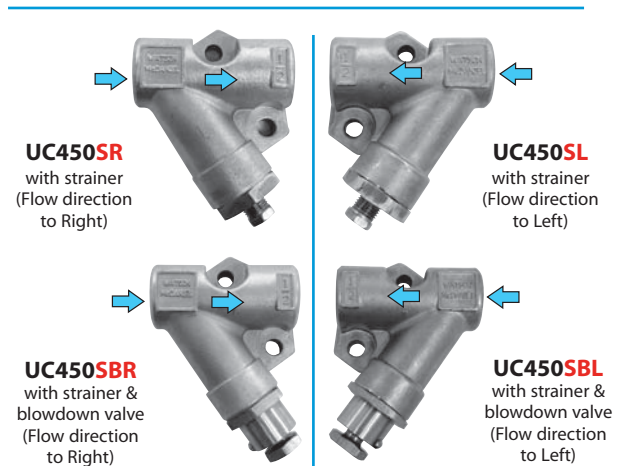
Universal connectors remain permanently installed in the piping system. The convenient 2-bolt mounting system allows the trap module to be removed and replaced quickly and easily using a socket or open-end wrench without disturbing the existing piping.

Features

- Universal connector with 2-bolt mounting allows for fast, easy replacement of trap module making it more cost-effective than replacing conventional type steam traps
- All stainless steel construction
- Trap module can rotate 360° on the universal connector allowing any orientation during installation
- Compatible with other manufacturers' trap modules
- Available with integral strainer and blowdown valve

Sample Specification

The Universal Connector shall be all stainless steel construction with a two-bolt 360 degree swivel mount flange design and available with integral strainer and blowdown valve.



UC450SR
with strainer
(Flow direction
to Right)

UC450SL
with strainer
(Flow direction
to Left)

UC450SBR
with strainer &
blowdown valve
(Flow direction
to Right)

UC450SBL
with strainer &
blowdown valve
(Flow direction
to Left)

Note: Optional Flanged units available.

Installation and Maintenance

The universal connector can be installed in vertical or horizontal piping and available in 1/2", 3/4" and 1" threaded NPT and socket weld (SW). In horizontal installations, orientation of connector body may be dependent on the specific type of trap module used. These connectors remain permanently installed in the piping system. The convenient 2-bolt mounting system allows the trap module to be easily replaced using a socket or open-end wrench without having to unthread piping.

MATERIALS

Body	Stainless Steel, AISI 316
Strainer	40 Mesh Stainless Steel, AISI 304
Blowdown Valve	Stainless Steel, AISI 303

How to Size / Order

Connectors and Trap Modules are ordered separately. See following pages for the Trap Modules.


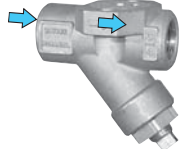
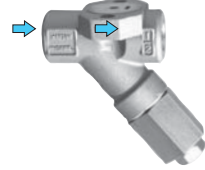
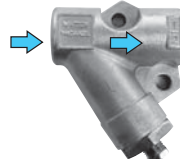
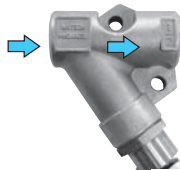
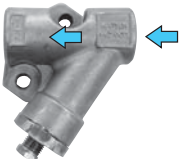
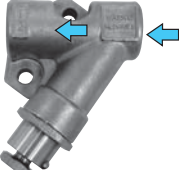
UC450 Series

Universal Style Quick-Change Connectors

(For use with Universal Quick-Change Trap Modules)

Helpful Selection Information
 Choose the desired style connector:
 UC450, UC450S
 UC450SR (flow to right)
 UC450SL (flow to left)

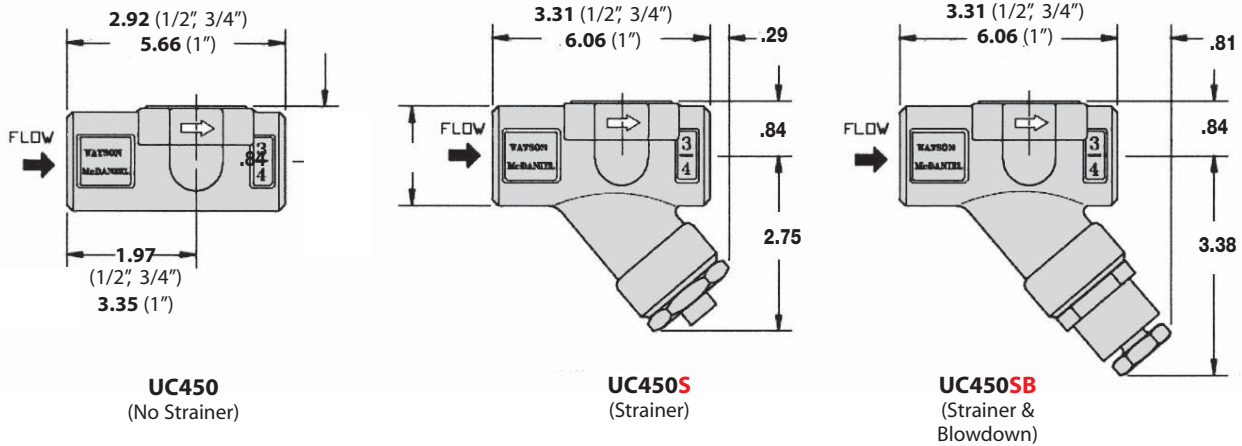
Four basic configurations of connectors are available: UC450, UC450S, and UC450SR/UC450SL. The UC450SR (with strainer, flow to right) is the most common connector choice. Choice is based upon strainer orientation or if a piping interference exists. All connector styles operate with any trap module. The **R** and **L** versions are mirror images of each other and are selected based on which side the user prefers the trap mounted on.

UC450 Type		Size	Model Code Threaded - NPT	Model Code Socket Weld	Weight lbs
UC450 No Strainer 	Connector				
	1/2"	UC450-12-N	UC450-12-SW	1.5	
	3/4"	UC450-13-N	UC450-13-SW	1.5	
	1"	UC450-14-N	UC450-14-SW	3.0	
UC450S Type		Size	Model Code Threaded - NPT	Model Code Socket Weld	Weight lbs
UC450S Strainer 	Connector (with Strainer)				
	1/2"	UC450S-12-N	UC450S-12-SW	2.5	
	3/4"	UC450S-13-N	UC450S-13-SW	2.5	
	1"	UC450S-14-N	UC450S-14-SW	3.5	
UC450SB Strainer & Blowdown Valve 	Connector (with Strainer & Blowdown Valve)				
	1/2"	UC450SB-12-N	UC450SB-12-SW	2.5	
	3/4"	UC450SB-13-N	UC450SB-13-SW	2.5	
	1"	UC450SB-14-N	UC450SB-14-SW	4.5	
UC450SR Type		Size	Model Code Threaded - NPT	Model Code Socket Weld	Weight lbs
UC450SR Strainer Flow to Right (as viewed) 	Connector (with Strainer) FLOW TO RIGHT				
	1/2"	UC450SR-12-N	UC450SR-12-SW	2.5	
	3/4"	UC450SR-13-N	UC450SR-13-SW	2.5	
	1"	UC450SR-14-N	UC450SR-14-SW	2.5	
UC450SBR Strainer & Blowdown Valve Flow to Right (as viewed) 	Connector (with Strainer & Blowdown Valve) FLOW TO RIGHT				
	1/2"	UC450SBR-12-N	UC450SBR-12-SW	2.5	
	3/4"	UC450SBR-13-N	UC450SBR-13-SW	2.5	
	1"	UC450SBR-14-N	UC450SBR-14-SW	2.5	
UC450SL Type		Size	Model Code Threaded - NPT	Model Code Socket Weld	Weight lbs
UC450SL Strainer Flow to Left (as viewed) 	Connector (with Strainer) FLOW TO LEFT				
	1/2"	UC450SL-12-N	UC450SL-12-SW	2.5	
	3/4"	UC450SL-13-N	UC450SL-13-SW	2.5	
	1"	UC450SL-14-N	UC450SL-14-SW	2.5	
UC450SBL Strainer & Blowdown Valve Flow to Left (as viewed) 	Connector (with Strainer & Blowdown Valve) FLOW TO LEFT				
	1/2"	UC450SBL-12-N	UC450SBL-12-SW	2.5	
	3/4"	UC450SBL-13-N	UC450SBL-13-SW	2.5	
	1"	UC450SBL-14-N	UC450SBL-14-SW	.5	

UC450, UC450S, UC450SB Universal Connectors

Connectors available in 1/2", 3/4" and 1" sizes in NPT or Socket-Weld Connections

Note: Optional Flange units available.

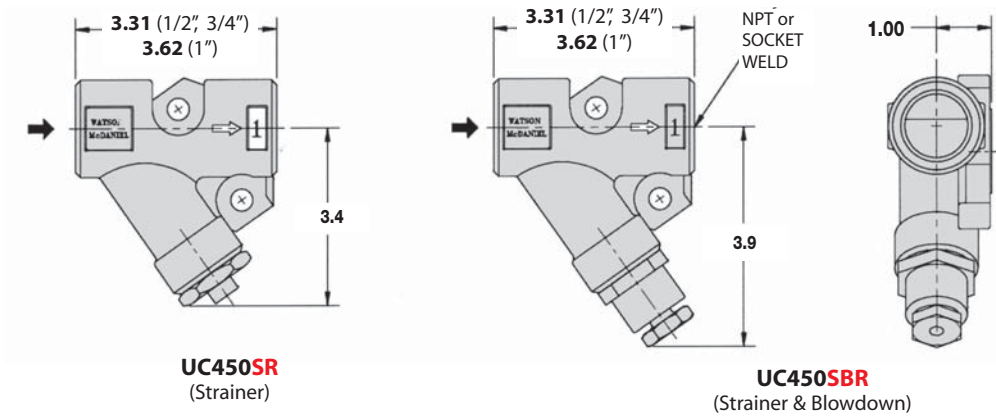


UC450SR & UC450SBR Universal Connectors

Connectors available in 1/2", 3/4" and 1" sizes in NPT or Socket-Weld Connections

Flow Direction - To RIGHT

Note: Optional Flange units available.

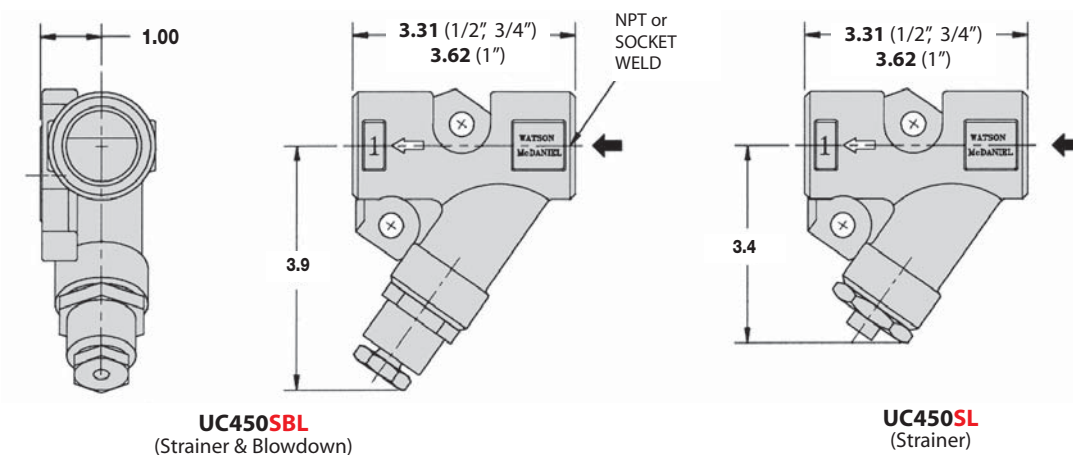


UC450SL & UC450SBL Universal Connectors

Connectors available in 1/2", 3/4" and 1" sizes in NPT or Socket-Weld Connections

Flow Direction - To LEFT

Note: Optional Flange units available.

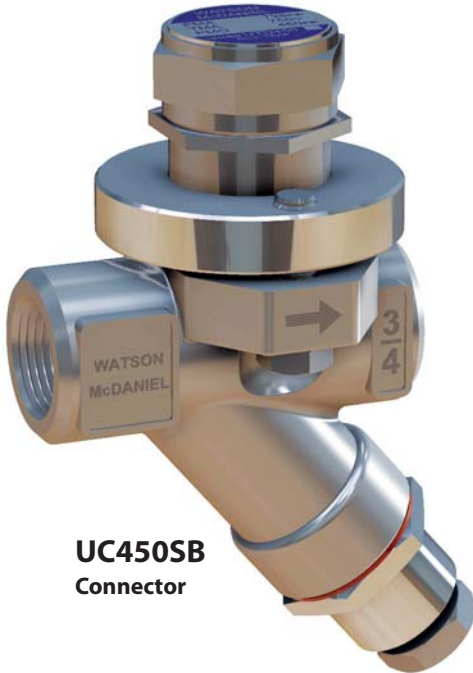


UC450SBR
Connector



USIB450
Trap Module

UTD450
Trap Module



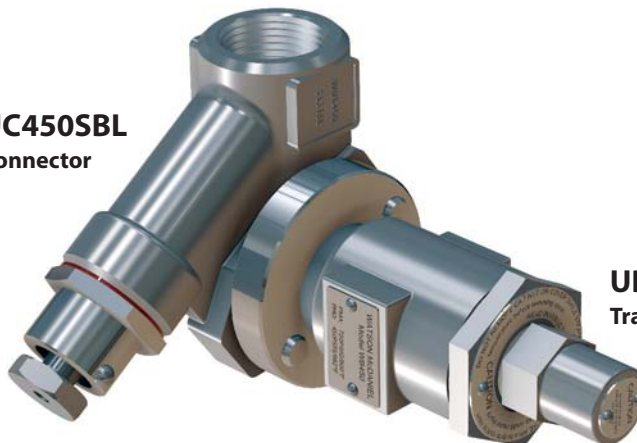
UC450SB
Connector

UC450SL
Connector



UT450
Trap Module

UC450SBL
Connector



UB450
Trap Module