



Engineered by Professionals for Professionals since 1910

INDUSTRIAL VALVES

UNITED BRASS WORKS, INC.

714 S. Main St.

Randleman, N.C. 27317

Phone: 800/334-3035

Fax: 800/498-4696

Email: sales@ubw.com

Web: www.ubw.com

**N. Las Vegas Office
221 Commerce Park Dr.
N. Las Vegas, NV 89032
Phone: 800/423-7353
Fax: 702/628-9904**



Catalog 1603

Printed in U.S.A.

CONTENTS

Terms and Conditions - Page 123

Angle Valves.....	10-13	Gauge Fixtures, Boiler Code Compliant.....	65-66
Ball Valves.....	1-3	Gauge Fixtures, Lower.....	71-74
Blow-Down Valves.....	14-19	Gauge Fixtures, Upper.....	67-70
Boiler Drains.....	119	Gauge Fixture Sets.....	75-90
Boiler Gauge Glass.....	56	Gauge Fixture Set, Boiler Code Compliant.....	91
Check Valves, In-Line.....	29	Globe Valves.....	4-9
Check Valves, Lift.....	30-37	Needle Valves.....	46-47
Check Valves, Swing.....	22-28	Pressure Gauges.....	95-97
Cocks.....	98-100	Pressure Reducing Valves.....	116-119
Continuous Blow-Down Valve.....	20-21	Pressure Reducing Valves Installation Kits.....	120
Cross Reference Chart.....	121-122	Safety Relief Valves.....	64
Expansion Tank Fixtures, Lower.....	93	Steam Traps.....	112-115
Expansion Tank Fixture, Upper.....	92	Strainers, Air Line.....	48
Expansion Tank Fixture Sets.....	94	Strainers, Sediment.....	49-52
Float Balls.....	59-60	Sure Site Indicators.....	104-110
Float Valves.....	57-58	Syphons.....	101-103
Float Valve Rods.....	61	Tricocks.....	62-63
Flow Indicators.....	104-110	Whistle Valves.....	38-44
Gate Valves.....	53-55	Whistle Valves, Air Operated.....	45

NOTE: Steam Pressure Ratings on Valves are for Body and Components excluding discs. If Valve is equipped with a Rubber Disc, it will not withstand steam pressure.



Canada / US Listed

Underwriters Laboratory

FM Factory Mutual

PRESSURE TEMPERATURE RATINGS

The Pressure-Temperature ratings listed below were developed by the Manufacturers Standardization Society of the Valve and Fittings Industry, commonly referred to as MSS.@

PRESSURE TEMPERATURE RATINGS - Non-Shock for Bronze Valve (MSS Standard Practice SP-80)

Note (1)

Pressure-Temperature ratings on Solder-Joint Pipe Systems is dependent not only on valve, fitting and tubing strength, but also on the composition of the solder used for joints. The user is responsible for selecting a solder composition that is compatible with the service conditions.

Pressure Class	PRESSURE - PSI					
	125	150	200 (3)	200	300	
End Conn.	Thd	Thd	Thd	Thd	Thd*	Thd

Note (2)

Pressure-Temperature ratings for valves fitted with non-metallic (composition) discs is dependent upon the composition of the disc material.

Temp. Deg. F.	MATERIAL					
	ASTM B-62 Alloy No. 836			ASTM B-61 Alloy No. 992		
-20 to 150	200	300	400	400	1000	600
200	185	270	375	375	920	560
250	170	240	350	350	830	525
300	155	210	325	325	740	490
350	140	180	300	300	650	450
400	--	B	275	275	560	410
406	125	150	260	--	--	--
450	120	145	--	250	480	375
500	--	--	--	225	390	340
550	--	--	--	200	300	300

Note (3)

ASTM-B62 (Alloy 836) can be used to these pressures if temperature is limited to 406 F.

* With Union Bonnet

Alloy ASTM B584 (Alloy 844) valve are limited to pressures marked on valve bodies and no more than 350 F.



UNITED BRASS WORKS, INC

714 S. Main St.. Randleman, N.C. 27317
 Phone: 800/334-3035 Fax: 800/498-4696 www.ubw.com



Model 80 Ball Valve Double Female (Complies with MSS-SP110-92)

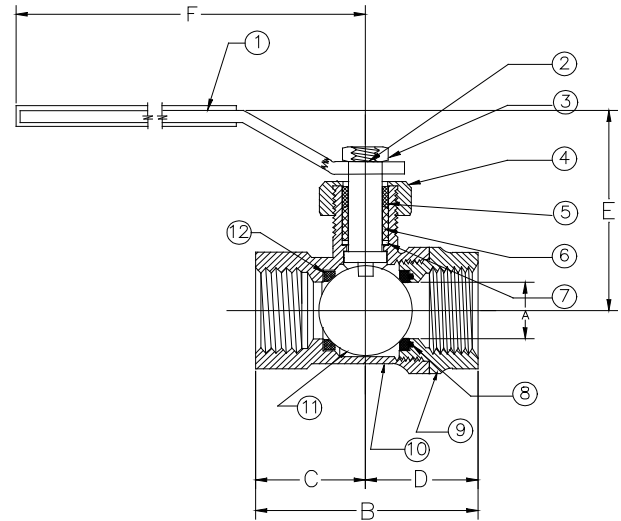
200 lbs. WSP @ 406 ° Max
400 lbs. WOG * 100% Pressure Tested
Threaded Ends * Blowout Proof Stem
1/4" - 1/2" Full Flow
3/4" - 2" Large Port Diameters
CRN OCO7135.2

Contains Lead. Not Intended for Use in Potable Water Systems



MATERIAL LIST

NO.	DESCRIPTION	MATERIAL
1	Lever	Plated Steel w/ vinyl grip
2	Stem	Brass
3	Jam Nut	Plated Steel
4	Packing Nut	Brass
5	Packing Sleeve	Brass
6	Packing	Graphite Non-Asb.
7	Bevel Washer	Steel
8	O-Ring	Buna
9	Tail Piece (1/4" - 1/2") Tail Piece (3/4" - 2")	Brass Bronze
10	Body	Bronze
11	Ball	Chrome Plated Brass
12	Nest	PTFE



SIZE	A	B	C	D	E	F	SHIP WT. (lbs.)	QUAN. PER CTN.
1/4"	0.38	1.86	0.92	0.94	1.58	3.31	0.52	12
3/8"	0.38	1.86	0.92	0.94	1.58	3.31	0.52	12
1/2"	0.50	2.17	1.06	1.11	2.28	4.23	0.78	12
3/4"	0.63	2.05	1.20	1.31	2.38	4.23	0.98	12
1"	0.81	3.27	1.67	1.59	2.55	4.23	1.59	6
1 1/4"	1.00	3.48	1.72	1.77	3.19	5.47	2.47	4
1 1/2"	1.25	3.97	1.95	2.02	3.38	5.47	3.50	4
2"	1.50	4.41	2.14	2.27	3.56	5.47	5.00	2



UNITED BRASS WORKS, INC

714 S. Main St.. Randleman, N.C. 27317
 Phone: 800/334-3035 Fax: 800/498-4696 www.ubw.com



Model 80MXF Ball Valve

Male x Female
 (Complies with MSS-SP110-92)

200 lbs. WSP @ 406 ° Max

400 lbs. WOG

100% Pressure Tested

Blow-Out Proof Stem

1/4" - 1/2" Full Flow

3/4" - 2" Large Port Diameters

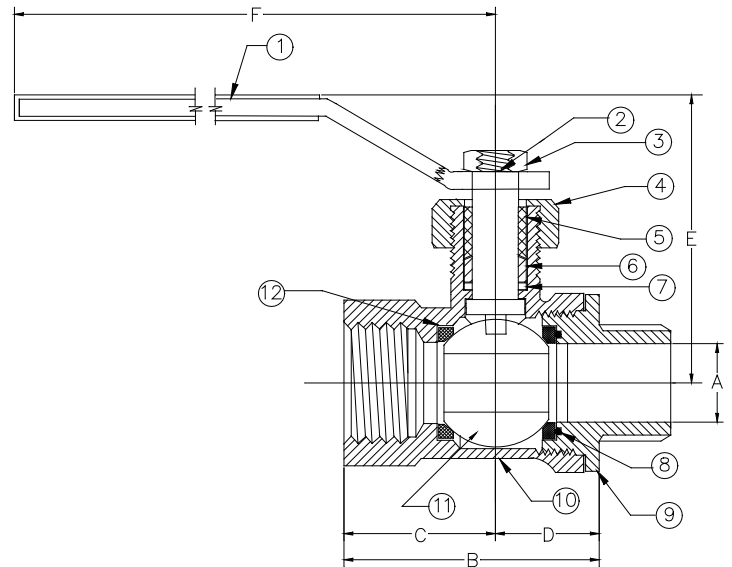
CRN OCO7135.2

Contains Lead. Not Intended for Use in Potable Water Systems



MATERIAL LIST

NO.	DESCRIPTION	MATERIAL
1	Lever	Plated Steel w/ vinyl grip
2	Stem	Brass
3	Jam Nut	Plated Steel
4	Packing Nut	Brass
5	Packing Sleeve	Brass
6	Packing	Graphite Non-Asb.
7	Bevel Washer	Steel
8	O-Ring	Nitrile Buna-N
9	Tail Piece (1/4" - 1/2") Tail Piece (3/4" - 2")	Brass Bronze
10	Body	Bronze
11	Ball	Chrome Plated Brass
12	Nest	PTFE



SIZE	A	B	C	D	E	F	SHIP WT. (lbs.)	QUAN. PER CTN.
1/4"	0.38	1.86	0.92	0.94	1.55	3.31	0.52	12
3/8"	0.38	1.86	0.92	0.94	1.55	3.31	0.52	12
1/2"	0.50	2.17	1.06	1.11	2.28	4.23	0.78	12
3/4"	0.63	2.52	1.20	1.3	2.35	4.23	0.98	12
1"	0.81	3.27	1.67	1.59	2.55	4.23	1.59	6
1 1/4"	1.00	3.48	1.72	1.77	3.19	5.47	2.47	4
1 1/2"	1.25	3.97	7.95	2.02	3.38	5.47	3.50	4
2"	1.50	4.41	2.14	2.27	3.56	5.47	5.00	2



UNITED BRASS WORKS, INC

714 S. Main St.. Randleman, N.C. 27317

Phone: 800/334-3035 Fax: 800/498-4696



Model 80SS Ball Valve

Double Female

(Complies with MSS-SP110-92)

200 lbs. WSP @ 406 ° Max

400 lbs. WOG * 100% Pressure Tested

Threaded Ends * Blowout Proof Stem

1/4" - 1/2" Full Flow

3/4" - 2" Large Port Diameters

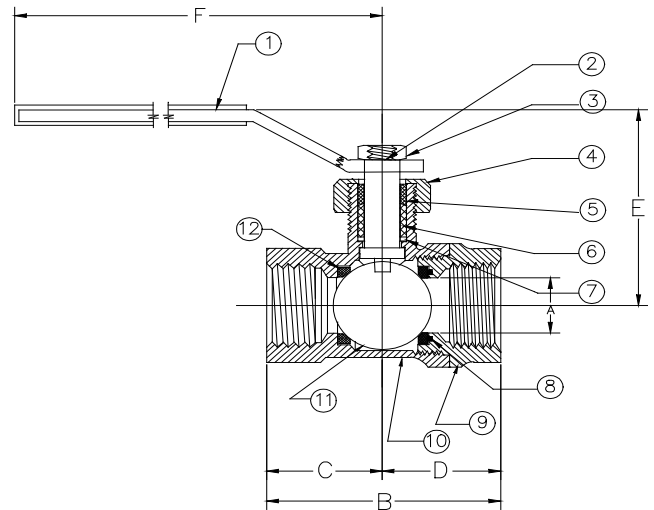
CRN OCO7135.2

Contains Lead. Not Intended for Use in Potable Water Systems



MATERIAL LIST

NO.	DESCRIPTION	MATERIAL
1	Lever	Plated Steel w/ vinyl grip
2	Stem	Brass
3	Jam Nut	Plated Steel
4	Packing Nut	Brass
5	Packing Sleeve	Brass
6	Packing	Graphite Non-Asb.
7	Bevel Washer	Steel
8	O-Ring	Buna
9	Tail Piece (1/4" - 1/2") Tail Piece (3/4" - 2")	Brass Bronze
10	Body	Bronze
11	Ball	Stainless Steel
12	Nest	PTFE



SIZE	A	B	C	D	E	F	SHIP WT. (lbs.)	QUAN. PER CTN.
1/4"	0.38	1.86	0.92	0.94	1.58	3.31	0.52	12
3/8"	0.38	1.86	0.92	0.94	1.58	3.31	0.52	12
1/2"	0.50	2.17	1.06	1.11	2.28	4.23	0.78	12
3/4"	0.63	2.05	1.20	1.31	2.38	4.23	0.98	12
1"	0.81	3.27	1.67	1.59	2.55	4.23	1.59	6
1 1/4"	1.00	3.48	1.72	1.77	3.19	5.47	2.47	4
1 1/2"	1.25	3.97	1.95	2.02	3.38	5.47	3.50	4
2"	1.50	4.41	2.14	2.27	3.56	5.47	5.00	2



UNITED BRASS WORKS, INC.
 714 S. Main St. Randleman, N.C. 27317
 Tel: 800-334-3035 Fax: 800-498-4696 www.ubw.com



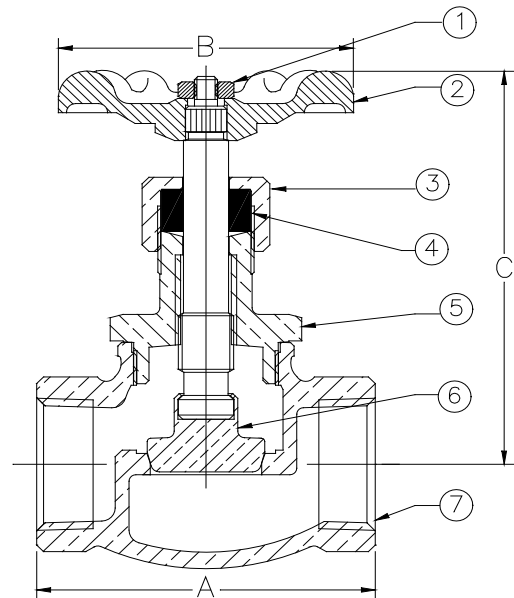
Model 125MM Globe Valve

Metal to Metal Seat & Disc
125 lbs. WSP @ 350 ° Max
200 lbs. WOG
100% Pressure Tested
Threaded Ends
Rising Stem
Swivel Disc Holder

Contains Lead. Not Intended for Use in Potable Water Svstems

MATERIAL LIST

NO.	DESCRIPTION	MATERIAL
1	Hex Nut	Steel
2	Hand Wheel	Zinc or Ductile Iron
3	Packing Nut	Brass
4	Packing	Graphite Non-Asb.
5	Bonnet (1/4" – 1") Bonnet (1 1/4" – 2")	Brass Bronze
6	Stem & Disc Holder	Brass
7	Body	Bronze



Size	1/4"	3/8"	1/2"	3/4"	1"	1 1/4"	1 1/2"	2"
A	1.75	1.84	2.22	2.47	2.97	3.56	4.06	4.69
B	1.75	1.75	2.03	2.38	2.75	3.00	3.72	3.72
C (closed)	2.88	3.13	3.38	3.50	4.25	4.75	5.50	5.50
Ship Wt. (lbs.)	0.44	0.56	0.80	1.00	1.81	2.57	3.69	5.88
Qty. Unit Pack	12	12	12	6	6	4	2	2
Qty. Per Case	60	60	72	60	36	24	12	12



UNITED BRASS WORKS, INC.

714 S. Main St., Randleman, NC 27317

Tel: 800-334-3035 Fax: 800-498-4696 www.ubw.com



Model 125T Valve

125WSP @ 350° F

200 WOG

100% Pressure Tested

Threaded Ends • Rising Stem

Swivel Disc Holder

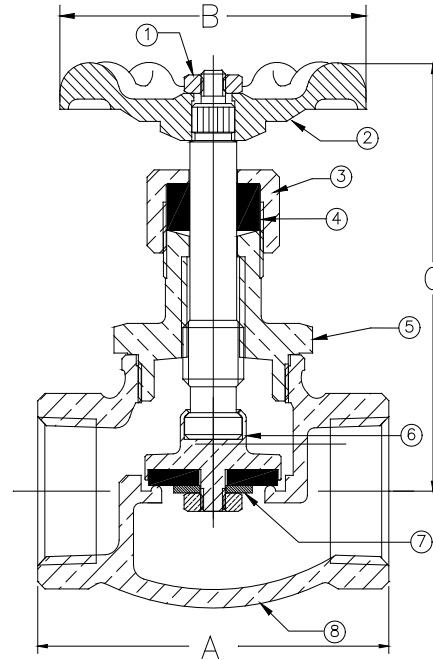
PTFE Disc

Integral Seat

Contains Lead. Not Intended for Use in Potable Water Systems

MATERIAL LIST

NO.	DESCRIPTION	MATERIAL
1	Nut	Steel
2	Hand Wheel	Zinc or Ductile Iron
3	Packing Nut	Brass
4	Packing	NAFG
5	Bonnet (1/4" – 1") Bonnet (1 1/4" – 2")	Brass Bronze
6	Stem & Disc Holder	Brass
7	Disc	PTFE
8	Body	Bronze



Size	1/4"	3/8"	1/2"	3/4"	1"	1 1/4"	1 1/2"	2"
A	1.75	1.84	2.22	2.47	2.97	3.56	4.06	4.69
B	1.75	1.75	2.03	2.38	2.75	3.00	3.72	3.72
C	2.88	3.13	3.38	3.50	4.25	4.75	5.50	5.50
Ship Wgt. (lbs.)	0.44	0.56	0.80	1.00	1.81	2.57	3.69	5.88
Qty. Per Ctn.	12	12	12	6	6	4	2	2
Qty. Per Case	60	60	72	60	36	24	12	12



UNITED BRASS WORKS, INC

714 S. Main St.. Randleman, N.C. 27317

Phone: 800/334-3035 Fax: 800/498-4696 www.ubw.com



Model 125S Globe Valve

Soft Disc

200 WOG @ 180 ° Max

100% Pressure Tested

Threaded Ends • Integral Seat

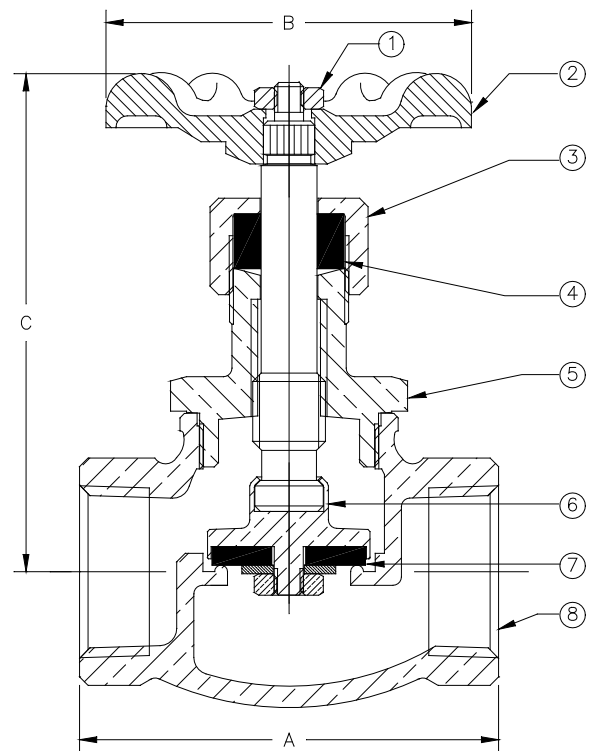
Rising Stem

Swivel Disc Holder

Contains Lead. Not Intended for Use in Potable Water Systems

MATERIAL LIST

NO.	DESCRIPTION	MATERIAL
1	Hex Nut	Steel
2	Hand Wheel	Zinc or Ductile Iron
3	Packing Nut	Brass
4	Packing	Graphite Non-Asb.
5	Bonnet (1/4" - 1") Bonnet (1 1/4" - 2")	Brass Bronze
6	Stem & Disc Holder	Brass
7	Disc	Buna N
8	Body	Bronze



Size	1/4"	3/8"
A	1.75	1.84
B	1.75	1.75
C (closed)	2.88	3.13
Ship Wt. (lbs.)	0.44	0.56
Qty. Unit Pack	12	12
Qty. Per Case	60	60



UNITED BRASS WORKS, INC

714 S. Main St.. Randleman, N.C. 27317

Phone: 800/334-3035 Fax: 800/498-4696 www.ubw.com



Model 125SUL Globe Valve Soft Disc

UL Listed for Fire Sprinkler Service at 250 WOG
200 WOG @ 180 ° Max

100% Pressure Tested

Threaded Ends

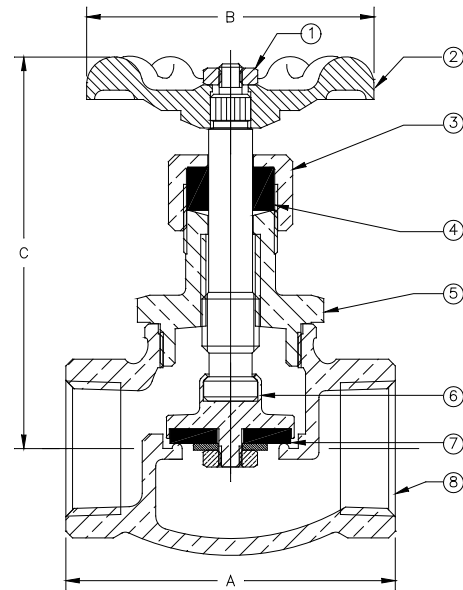
Rising Stem • Integral Seat

Swivel Disc Holder

Contains Lead. Not Intended for Use in Potable Water Systems

MATERIAL LIST

NO.	DESCRIPTION	MATERIAL
1	Hex Nut	Steel
2	Hand Wheel	Zinc or Ductile Iron
3	Packing Nut	Brass
4	Packing	Graphite Non-Asb.
5	Bonnet (1/4" - 1") Bonnet (1 1/4" - 2")	Brass Bronze
6	Stem & Disc Holder	Brass
7	Disc	Buna N
8	Body	Bronze



Size	1/2"	3/4"	1"	1 1/4"	1 1/2"	2"
A	2.22	2.47	2.97	3.56	4.06	4.69
B	2.03	2.38	2.75	3.00	3.72	3.72
C (closed)	3.38	3.50	4.25	4.75	5.50	5.50
Ship Wt. (lbs.)	0.69	0.94	1.76	2.50	3.26	5.32
Qty. Unit Pack	12	6	6	4	2	2
Qty. Per Case	72	60	36	24	12	12



UNITED BRASS WORKS, INC.

714 S. Main St. Randleman, N.C. 27317

Tel: 800-334-3035 Fax: 800-498-4696 www.ubw.com

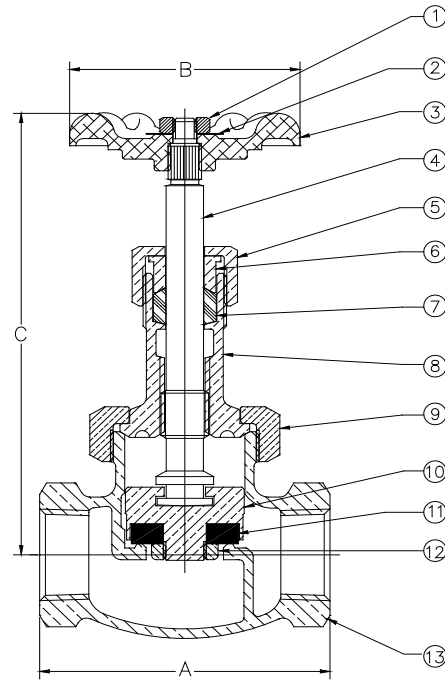


Model 81T Globe Valve Conforms with MSS-SP80-2013 CRN OCO7135.2

200 lbs. WSP @ 406° Max
400 lbs. WOG • 100% Pressure Tested
Threaded Ends • Rising Stem • Integral Seat
Swivel Disc Holder • PTFE Disc
Contains Lead. Not Intended for Use in Potable Water Systems

MATERIAL LIST

NO.	DESCRIPTION	MATERIAL
1	Hex Nut	Steel
2	Marker Disc	Aluminum
3	Hand Wheel	Zinc or Ductile Iron
4	Stem	Bronze
5	Packing Nut	Brass
6	Packing Gland	Bronze
7	Packing	NAFG
8	Bonnet	Bronze
9	Bonnet Nut	Bronze
10	Disc Holder	Bronze
11	Disc	PTFE
12	Disc Nut	Brass
13	Body	Bronze



Size	1/8"	1/4"	3/8"	1/2"	3/4"	1"	1 1/4"	1 1/2"	2"
A	2.11	2.11	2.33	2.63	3.06	3.78	4.51	4.75	5.81
B	1.73	1.73	2.13	2.42	2.78	3.00	3.72	3.72	4.38
C - Closed	3.81	3.81	4.59	4.59	5.13	6.00	6.94	7.63	8.44
C - Open	4.00	4.00	4.81	5.19	5.56	6.56	7.50	8.33	9.25
Ship Wt. (lbs.)	0.81	0.81	1.06	1.50	2.00	3.37	5.19	7.00	11.19
Qty. Per Ctn.	12	12	12	12	6	6	4	2	2



UNITED BRASS WORKS, INC.

714 S. Main St. Randleman, N.C. 27317

Tel: 800-334-3035 Fax: 800-498-4696 www.ubw.com



Model 381T Globe Valve

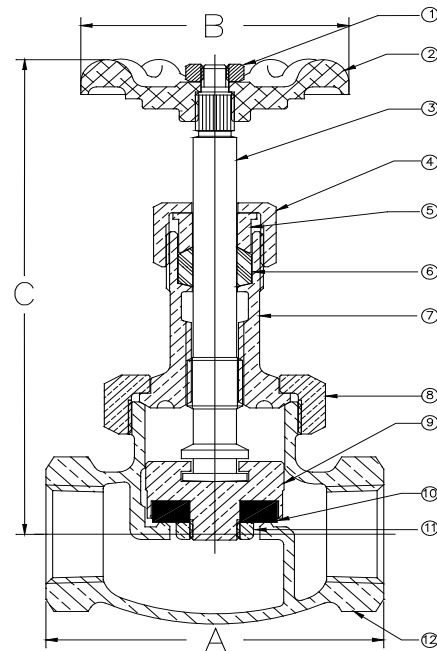
Conforms with MSS-SP80-2013

CRN OCO7135.2

300 lbs. WSP • 600 lbs. WOG • Integral Seat
100% Pressure Tested • Threaded Ends
Rising Stem • Swivel Disc Holder • PTFE Disc
***Contains Lead. Not Intended for Use in Potable Water Systems**

MATERIAL LIST

NO.	DESCRIPTION	MATERIAL
1	Hex Nut	Steel
2	Hand Wheel	Zinc or Ductile Iron
3	Stem	Bronze
4	Packing Nut	Bronze
5	Packing Gland	Bronze
6	Packing	NAFG
7	Bonnet	Bronze
8	Bonnet Nut	Bronze
9	Disc Holder	Bronze
10	Disc	PTFE
11	Disc Nut	Brass
12	Body	Bronze



Size	½"	¾"	1"	1 ¼"	1 ½"	2"
A – Globe	2.63	3.06	3.78	4.51	4.75	5.81
B	2.42	2.78	3.00	2.93	3.72	4.36
C – Closed	4.59	5.13	6.00	6.94	7.63	8.44
C – Open	5.03	5.56	6.56	7.50	8.33	9.25
Ship Wt. (lbs.)	1.50	2.0	3.37	5.19	7.00	11.19
Qty. Per Ctn.	12	6	6	4	2	2



UNITED BRASS WORKS, INC

714 S. Main St.. Randleman, N.C. 27317

Phone: 800/334-3035 Fax: 800/498-4696 www.ubw.com



Model 126MM Angle Valve

Metal to Metal Seat & disc
125 lbs. WSP @ 350 ° Max

200 lbs. WOG

100% Pressure Tested

Threaded Ends

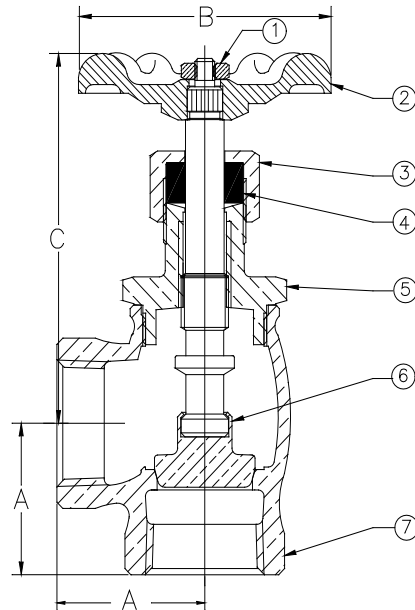
Rising Stem

Swivel Disc Holder

Contains Lead. Not Intended for Use in Potable Water Systems

MATERIAL LIST

NO.	DESCRIPTION	MATERIAL
1	Hex Nut	Steel
2	Hand Wheel	Zinc or Ductile Iron
3	Packing Nut	Brass
4	Packing	Graphite Non-Asb.
5	Bonnet (1/4" – 1") Bonnet (1 1/4" – 2")	Brass Bronze
6	Stem & Disc Holder	Brass
7	Body	Bronze



Size	1/4"	3/8"	1/2"	3/4"	1"	1 1/4"	1 1/2"	2"
A	0.84	0.94	1.09	1.22	1.47	1.75	2.00	2.34
B	1.75	1.75	2.03	2.38	2.75	3.00	3.72	3.72
C (closed)	2.63	3.00	3.13	3.25	4.38	4.50	5.25	5.63
Ship Wt. (lbs.)	0.44	0.56	0.69	0.94	1.76	2.50	3.26	5.32
Qty. Unit Pack	12	12	12	6	6	4	2	2
Qty. Per Case	60	60	72	60	36	24	12	12



UNITED BRASS WORKS, INC.

714 S. Main St., Randleman, NC 27317

Tel: 800-334-3035 Fax: 800-498-4696 www.ubw.com



Model 126T Valve

125WSP @ 350° F

200 WOG

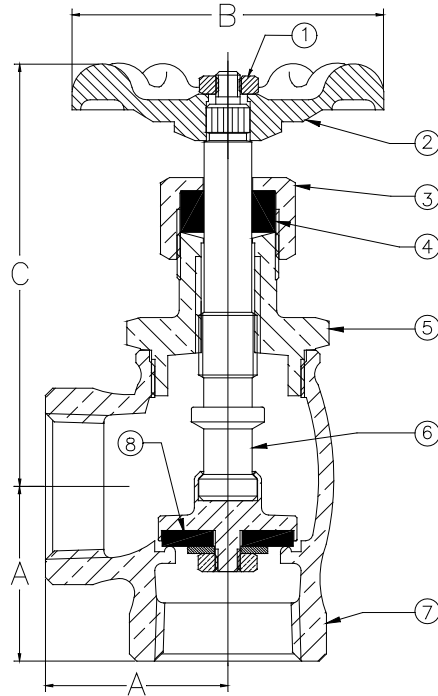
100% Pressure Tested • Threaded Ends
Rising Stem • Swivel Disc Holder

PTFE Disc

Contains Lead. Not Intended for Use in Potable Water Systems

MATERIAL LIST

NO.	DESCRIPTION	MATERIAL
1	Nut	Brass
2	Hand Wheel	Zinc or Ductile Iron
3	Packing Nut	Brass
4	Packing	NAFG
5	Bonnet (1/4" - 1") Bonnet (1/4" - 2")	Brass Bronze
6	Stem & Disc Holder	Brass
7	Body	Bronze
8	Disc	PTFE



Size	1/4"	3/8"	1/2"	3/4"	1"	1 1/4"	1 1/2"	2"
A	0.84	0.94	1.09	1.22	1.47	1.75	2.00	2.34
B	1.75	1.75	2.03	2.38	2.75	3.00	3.72	3.72
C (closed)	2.88	3.00	3.25	3.63	4.00	4.50	5.25	6.50
Ship Wt. (lbs.)	0.44	0.56	0.69	0.94	1.76	2.50	3.26	5.32
Qty. Unit Pack	12	12	12	6	6	4	2	2
Qty. Per Case	60	60	72	60	36	24	12	12



UNITED BRASS WORKS, INC.

714 S. Main St., Randleman, NC 27317

Tel: 800-334-3035 Fax: 800-498-4696 www.ubw.com



Model 126S Angle Valve

Soft Disc

200 WOG @ 180 ° Max

100% Pressure Tested

Threaded Ends

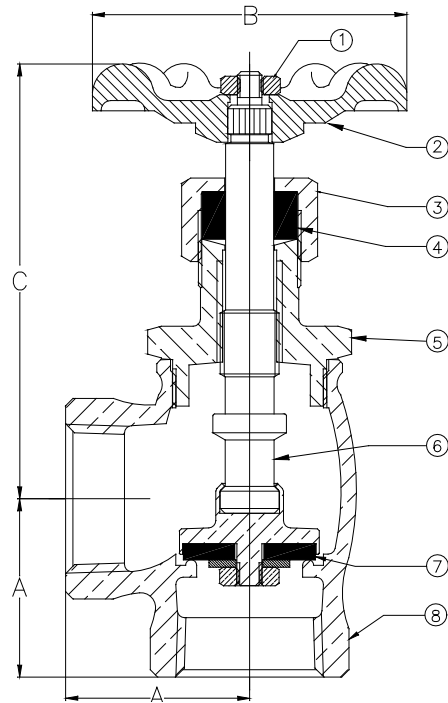
Rising Stem • Integral Seat

Swivel Disc Holder

Contains Lead. Not Intended for Use in Potable Water Systems

MATERIAL LIST

NO.	DESCRIPTION	MATERIAL
1	Hex Nut	Steel
2	Hand Wheel	Zinc or Ductile Iron
3	Packing Nut	Brass
4	Packing	Graphite Non-Asb.
5	Bonnet (1/4" - 1") Bonnet (1 1/4" - 2")	Brass Bronze
6	Stem & Disc Holder	Brass
7	Disc	Buna N
8	Body	Bronze



Size	1/4"	3/8"
A	0.84	0.94
B	1.75	1.75
C (closed)	2.63	3.00
Ship Wt. (lbs.)	0.44	0.56
Qty. Unit Pack	12	12
Qty. Per Case	60	60



UNITED BRASS WORKS, INC.

714 S. Main St., Randleman, NC 27317

Tel: 800-334-3035 Fax: 800-498-4696 www.ubw.com



Model 126SUL Angle Valve Soft Disc



UL Listed for Fire Sprinkler Service at 250 WOG

200 WOG @ 180 ° Max

100% Pressure Tested

Threaded Ends

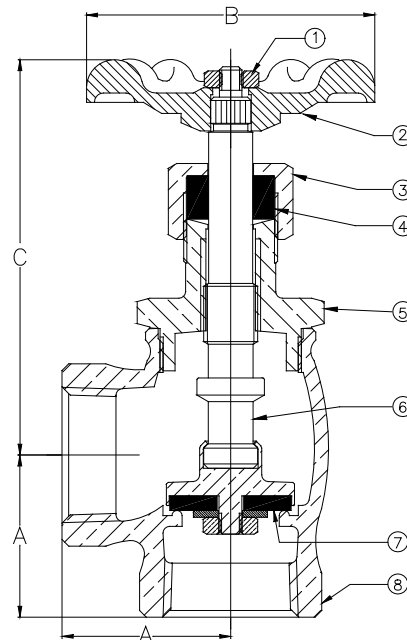
Rising Stem • Integral Seat

Swivel Disc Holder

Contains Lead. Not Intended for Use in Potable Water System

MATERIAL LIST

NO.	DESCRIPTION	MATERIAL
1	Hex Nut	Steel
2	Hand Wheel	Zinc or Ductile Iron
3	Packing Nut	Brass
4	Packing	Graphite Non-Asbestos
5	Bonnet (1/2" - 1") Bonnet (1 1/4" - 2")	Brass Bronze
6	Stem & Seat Assembly	Brass
7	Disc	Buna N
8	Body	Bronze



Size	1/2"	3/4"	1"	1 1/4"	1 1/2"	2"
A	1.03	1.22	1.47	1.75	2.00	2.34
B	2.03	2.38	2.75	3.00	3.72	3.72
C (closed)	3.13	3.25	4.38	4.50	5.25	5.63
Ship Wt. (lbs.)	0.69	0.94	1.76	2.50	3.26	5.32
Qty. Unit Pack	12	6	6	4	2	2
Qty. Per Case	72	60	36	24	12	12



UNITED BRASS WORKS, INC.

714 S. Main St. Randleman, N.C. 27317

Tel: 800-334-3035 Fax: 800-498-4696 www.ubw.com



Model 226UT "Y" Blow-Off Valve Complies with MSS-SP-80-2013 CRN OCO7135.2



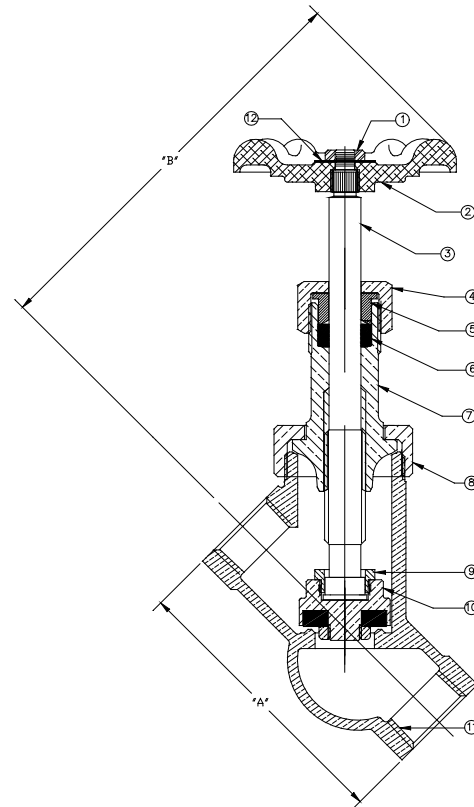
200 WSP @ 406° Max • 400 WOG
Non-Shock Service • 100% Pressure Tested
Threaded Ends • Rising Stem • Swivel Disc Holder
PTFE Disc • Integral Seat • Max Pressure for Boiler Blow-Off 160 PSI

Contains Lead. Not Intended for Use in Potable Water Systems

Care must be taken in blow down piping so that no water hammer effect causes shock to the "Y" blow down valve, especially in cases where a boiler has two blow down lines. In such cases both lines should be piped to a common set of blow down valves or each blow off line should be piped separately to the blow down separator. Excessive water hammer or shock can destroy valves and piping and could cause injury.

MATERIAL LIST

NO.	DESCRIPTION	MATERIAL
1	Jam Nut	Steel
2	Hand Wheel	Ductile Iron
3	Stem	Naval Brass
4	Packing Nut	Brass
5	Packing Gland	Brass
6	Packing	NAFG
7	Bonnet	Bronze
8	Bonnet Nut	Bronze
9	Lock Nut	Brass
10	Disc Holder	Brass
11	Body	Bronze
12	Marker Disc	Aluminum



Size	1"	1 ¼"	1 ½"	2"
A	4.75	5.56	6.25	7.75
B	5.75	7.00	7.75	8.75
Ship Wt. (lbs.)	4.20	6.10	9.00	15.00
Qty. Unit Pack	4	4	2	2



UNITED BRASS WORKS, INC.

714 S. Main St. Randleman, N.C. 27317

Tel: 800-334-3035 Fax: 800-498-4696 www.ubw.com



Model 325U "Y" Blow-Off Valve

Complies with MSS-SP-80-2013

CRN OCO7135.2

Class 300 • Non-Shock Service

100% Pressure Tested • Threaded Ends

Rising Stem • Swivel Disc Holder

Seat & Disc 400-500 Brinnell Stainless Steel

Max Pressure 390 PSI @ 500° F • Max Pressure for Boiler

Blow-Off 312 PSI

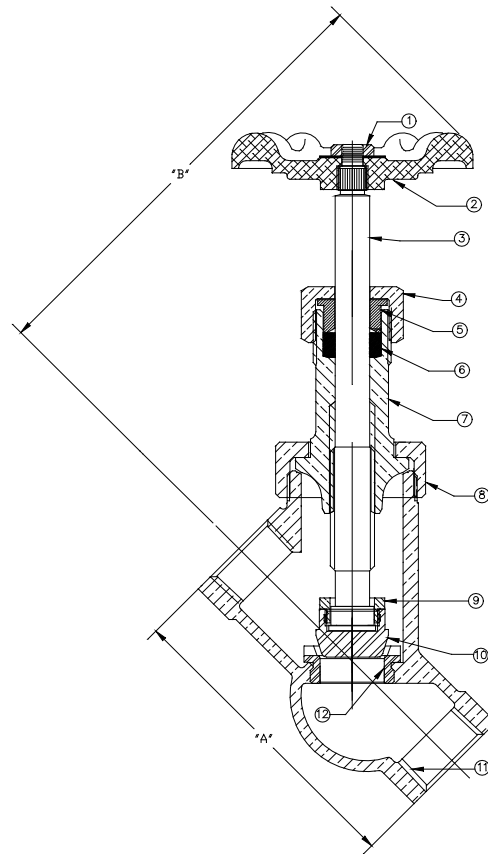
Contains Lead. Not Intended for Use in Potable Water Systems

Care must be taken in blow down piping so that no water hammer effect causes shock to the "Y" blow down valve, especially in cases where a boiler has two blow-down lines. In such cases both lines should be piped to a common set of blow down valves or each blow off line should be piped separately to the blow down separator. Excessive water hammer or shock can destroy valves and piping and could cause injury.

MATERIAL LIST

NO.	DESCRIPTION	MATERIAL
1	Jam Nut	Steel
2	Hand Wheel	Ductile Iron
3	Stem	Naval Brass
4	Packing Nut	Brass
5	Packing Gland	Brass
6	Packing	NAFG
7	Bonnet	Bronze
8	Bonnet Nut	Bronze
9	Lock Nut	Brass
10	Disc	Stainless Steel
11	Body	Bronze
12	Seat	Stainless Steel

Size	1"	1 ¼"	1 ½"	2"
A	4.75	5.56	6.25	7.75
B	5.75	7.00	7.75	8.75
Ship Wt. (lbs.)	4.75	6.25	8.60	15.11
Qty. Unit Pack	4	4	2	2





UNITED BRASS WORKS, INC.

714 S. Main St., Randleman, NC 27317

Tel: 800-334-3035 Fax: 800-498-4696 www.ubw.com



Model 425 Quick Opening Blow-Off Valve

Class 300 * ANSI B 16.34 * 665 psi Working Steam Pressure @ 500 F

750 psi @ 100 F * 100% Pressure Tested * Threaded Ends * Epoxy Coated (E-Coat)

Max Pressure for Boiler Blow Off 530 PSI

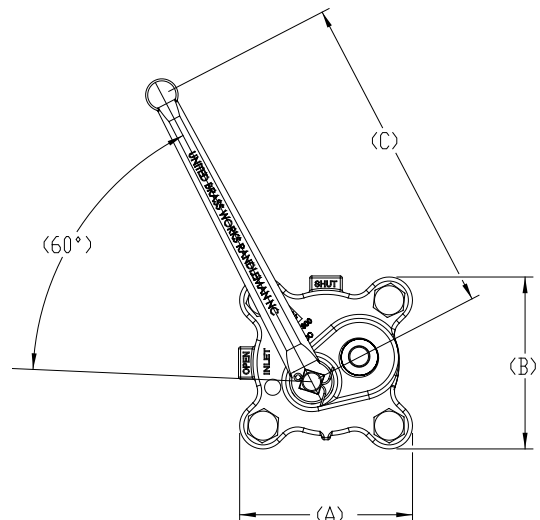
CRN OCO7135.2, 24, 25, 26

CRN OEO2171.7, 79, 70, 78, 7AY, 7T, 7N

The United Brass quick opening boiler blow off valve has been designed for the rugged service of boiler treatment and scale. The cast steel knife gate valve conforms to Class 300 of ANSI B16.34 and features a stainless steel seat and disc hardened to Rockwell 60. ASME Boiler and Pressure Vessel Code Section 1 PG-42.1.12 and Power Piping Code ASME B 31.1 Table 126.1 reference steel valves to ANSI B 16.34. The sliding disc provides a “cleaning” action that keeps the seating area clear of scale and debris.

DESCRIPTION	MATERIAL
Body	Steel A216 WCC
Cover	Steel A216 WCC
Gasket	Tanged Graphite
Disc Spring	17-7 Stainless Steel
Disc Rivet	Carbon Steel
Disc	440C Stainless Steel
Arm	Steel A216 WCC
Stem	410 Stainless Steel
Stem Rivet	Carbon Steel
Stem Spring	17-7 Stainless Steel
Packing	Graphite
Packing Nut	410 Stainless Steel
Handle (1" & 1 1/4")	Ductile Iron 65-45-12
Handle (1 1/2" & 2")	Steel A216 WCC
Cotter Pin	Plated Steel
Body Bolts	Steel Grade 8
Hex Nuts	Steel Grade 8
Name Plate	Stainless Steel
Drive Screws	Stainless Steel

Size	1	1 1/4"	1 1/2"	2"
A	5.32	5.32	8.20	10.50
B	5.32	5.32	8.20	10.50
C	10.00	10.00	12.50	18.00
D	60°	60°	60°	60°
Face to Face	3.80	3.80	4.50	4.80
Weight	14.0	14.0	36.0	46.0





UNITED BRASS WORKS, INC

714 S. Main St.. Randleman, N.C. 27317

Phone: 800/334-3035 Fax: 800/498-4696 www.ubw.com



Model 525 Slow Opening Blow-Off Valve

Class 300 * ANSI B 16.34 * 665 psi Working Steam Pressure @ 500 F

750 psi @ 100 F * 100% Pressure Tested * Threaded Ends * Epoxy Coated (E-Coat)

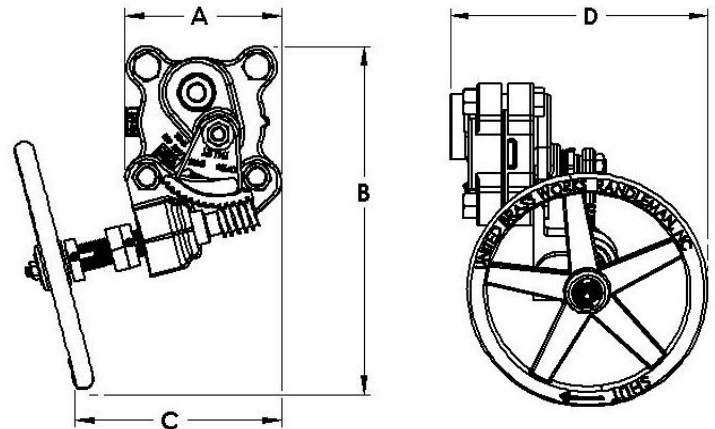
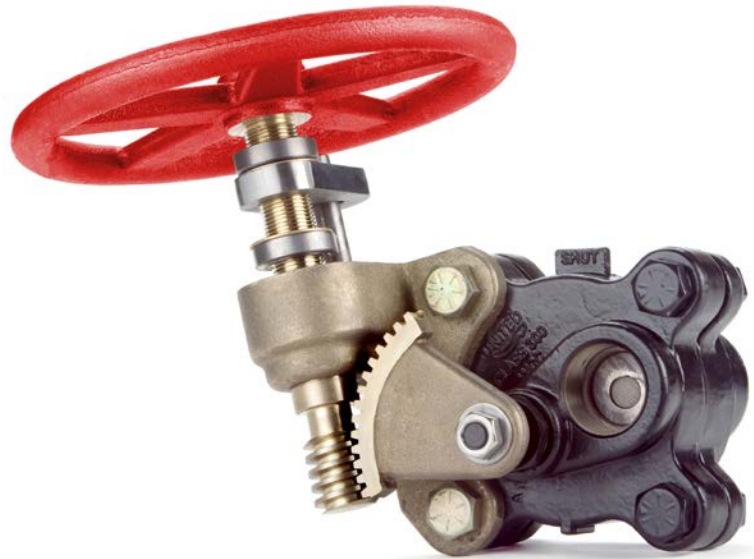
Max Pressure for Boiler Blow off 530 PSI

CRN OCO7135.2, 24, 25, 26

CRN OEO2171.7, 79, 70, 78, 7AY, 7T, 7N

The United Brass slow opening boiler blow off valve has been designed for the rugged service of boiler treatment and scale. The cast steel knife gate valve conforms to Class 300 of ANSI B16.34 and features a stainless steel seat and disc hardened to Rockwell 60. ASME Boiler and Pressure Vessel Code Section 1 PG-42.1.12 and Power Piping Code ASME B 31.1 Table 126.1 reference steel valves to ANSI B 16.34. The sliding disc provides a “cleaning” action that keeps the seating area clear of scale and debris.

DESCRIPTION	MATERIAL
Body	Steel A216 WCC
Cover	Steel A216 WCC
Gasket	Tanged Graphite
Disc Spring	17-7 Stainless Steel
Disc Rivet	Carbon Steel
Disc	440C Stainless Steel
Arm	Steel A216 WCC
Stem	410 Stainless Steel
Stem Rivet	Carbon Steel
Stem Spring	17-7 Stainless Steel
Packing	Graphite
Packing Nut	410 Stainless Steel
Handle (1" & 1 1/4")	Ductile Iron 65-45-12
Handle (1 1/2" & 2")	Steel A216 WCC
Cotter Pin	Plated Steel
Body Bolts	Steel Grade 8
Hex Nuts	Steel Grade 8
Name Plate	Stainless Steel
Drive Screws	Stainless Steel
Operating Assembly	Bronze



Size	1	1 1/4"	1 1/2"	2"
A	5.50	5.50	7.80	9.20
B	12.30	12.30	14.30	14.90
C	9.50	9.50	10.60	16.00
D	9.60	9.60	10.20	11.50
Weight	26.0	26.0	40.0	68.0



UNITED BRASS WORKS, INC

714 S. Main St.. Randleman, N.C. 27317

Phone: 800/334-3035 Fax: 800/498-4696 www.ubw.com



Model 625 Quick Opening Flanged Blow-Off Valve Class 300 * ANSI B 16.34 * 605 psi Working Steam Pressure @ 500 F 740 psi @ 100 F * 100% Pressure Tested * Epoxy Coated (E-Coat)

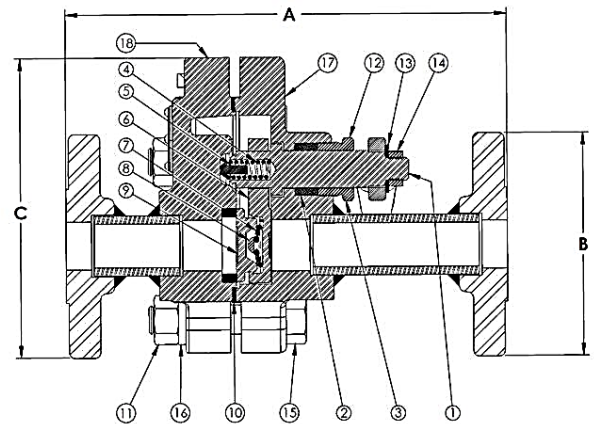
Max Pressure for Boiler Blow Off 485 PSI

CRN OCO7135.2, 24, 25, 26

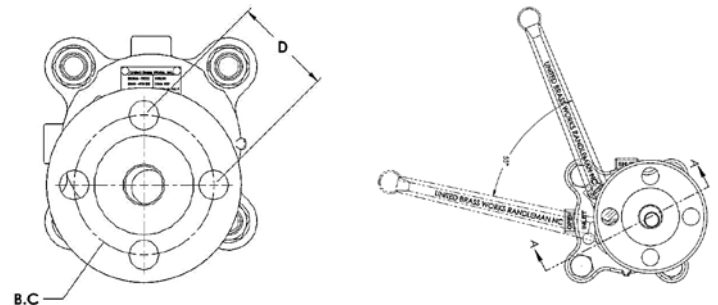
CRN OEO2171.7, 79, 70, 78, 7AY, 7T, 7N

The United Brass quick opening flanged boiler blow off valve has been designed for the rugged service of boiler treatment and scale. The cast steel knife gate valve conforms to Class 300 of ANSI B16.34 and features a stainless steel seat and disc hardened to Rockwell 60. ASME Boiler and Pressure Vessel Code Section 1 PG-42.1.12 and Power Piping Code ASME B 31.1 Table 126.1 reference steel valves to ANSI B 16.34. The sliding disc provides a “cleaning” action that keeps the seating area clear of scale and debris.

ITEM	DESCRIPTION	MATERIAL	QUANTITY
1	Stem	410 Stainless Steel	1
2	Packing	Graphite	1
3	Packing Nut	410 Stainless Steel	1
4	Stem Spring	17-7 Stainless Steel	1
5	Stem Rivet	Carbon Steel	1
6	Disc Arm	ASTM A216 WCC	1
7	Disc Spring	17-7 Stainless Steel	1
8	Disc Rivet	Carbon Steel	1
9	Gate Disc	440C Stainless Steel	1
10	Gasket	Tanged Graphite	1
11	Hex Nut	Grade 8	4 (1"-11/4") 5 (11/2") 6 (2")
12	Handle	Ductile Iron	1
13	Washer	Stainless Steel	1
14	Jam Nut	Stainless Steel	1
15	Hex Bolt	Grade 8	4 (1"-11/4") 5 (11/2") 6 (2")
16	Lock Washer	Grade 8	4 (1"-11/4") 5 (11/2") 6 (2")
17	Cover	ASTM A216 WCC	1
18	Body	ASTM A216 WCC	1



SIZE	1"	1 1/4"	1 1/2"	2"
A	9.70	9.70	10.90	12.60
B	4.90	4.90	6.10	6.50
C	6.60	6.60	8.00	9.80
D	2.50	2.50	3.20	1.90
B.C.	3.50	3.50	4.50	6.50
BOLT HOLES	4	4	4	8
Unit Wgt.	22.80	25.20	41.20	60.20





UNITED BRASS WORKS, INC.

714 S. Main St. Randleman, N.C. 27317

Tel: 800-334-3035 Fax: 800-498-4696 www.ubw.com



Model 725 Slow Opening Flanged Blow-Off Valve

Class 300 * ANSI B 16.34 * 605 psi Working Steam Pressure @ 500 F

740 psi @ 100 F * 100% Pressure Tested * Epoxy Coated (E-Coat)

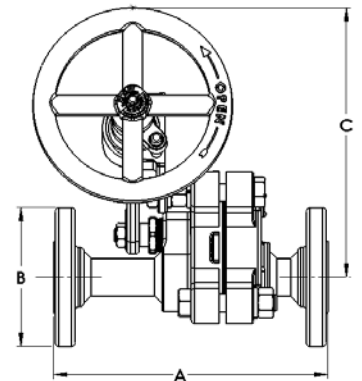
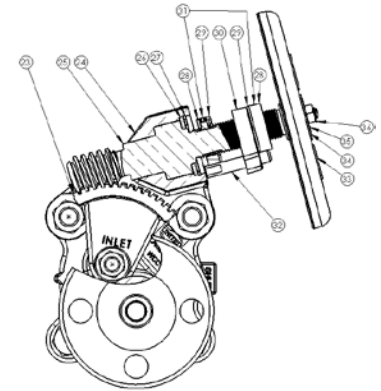
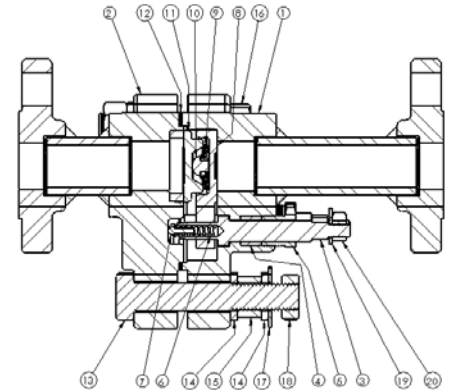
Max Pressure for Boiler Blow Off 485 PSI

CRN OCO7135.2, 24, 25, 26

CRN OEO2171.7, 79, 70, 78, 7AY, 7T, 7N

The United Brass slow opening flanged boiler blow off valve has been designed for the rugged service of boiler treatment and scale. The cast steel knife gate valve conforms to Class 300 of ANSI B16.34 and features a stainless steel seat and disc hardened to Rockwell 60. ASME Boiler and Pressure Vessel Code Section 1 PG-42.1.12 and Power Piping Code ASME B 31.1 Table 126.1 reference steel valves to ANSI B 16.34. The sliding disc provides a “cleaning” action that keeps the seating area clear of scale and debris.

MATERIAL LIST						
NO.	DESCRIPTION	MATERIAL		NO.	DESCRIPTION	MATERIAL
1	Knife Gate Cover	Carbon Steel		19	Washer	Stainless Steel
2	Knife Gate Body	Carbon Steel		20	Jam Nut	Stainless Steel
3	Knife Gate Stem	Stainless Steel		21	Name Plate	Steel
4	Knife Gate Packing	Graphite		22	Drive Screw	Stainless Steel
5	Knife Gate Packing Nut	Stainless Steel		23	Worm Gear	Bronze
6	Knife Gate Stem Spring	Stainless Steel		24	Bracket	Bronze
7	Stem Rivet	Carbon Steel		25	Worm Steam	Bronze
8	Knife Gate Arm	Carbon Steel		26	Bearing	Bronze
9	Disc Spring	Stainless Steel		27	Retaining Ring	Steel
10	Disc Rivet	Carbon Steel		28	Open/Close Collar	Bronze
11	Knife Gate Disc	Stainless Steel		29	Collar Bearing	Bronze
12	Knife Gate Gasket	Graphite		30	Open/Close Yoke	Bronze
13	Bolt	Steel Grade 8		31	Set Screw	Stainless Steel
14	Lock Washer	Steel Grade 8		32	Yoke Pin	Stainless Steel
15	Hex Nut	Steel Grade 8		33	2" Hand Wheel	Ductile Iron
16	Hex Bolt	Steel Grade 8		34	Washer	Brass
17	Washer	Stainless Steel		35	Marker Disc	Aluminum
18	Jam Nut	Steel		36	Nut	Stainless Steel



Size	1"	1 1/4"	1 1/2"	2"
A	9.70	9.70	10.90	12.60
B	4.90	4.90	6.10	6.50
C	8.10	8.10	8.60	9.20
B.C.	3.50	3.50	4.50	6.50
Bolt Holes	4	4	4	8
Unit Wgt.	27.4	27.8	44.5	65.4



UNITED BRASS WORKS, INC

714 S. Main St.. Randleman, N.C. 27317

Phone: 800/334-3035 Fax: 800/498-4696 www.ubw.com



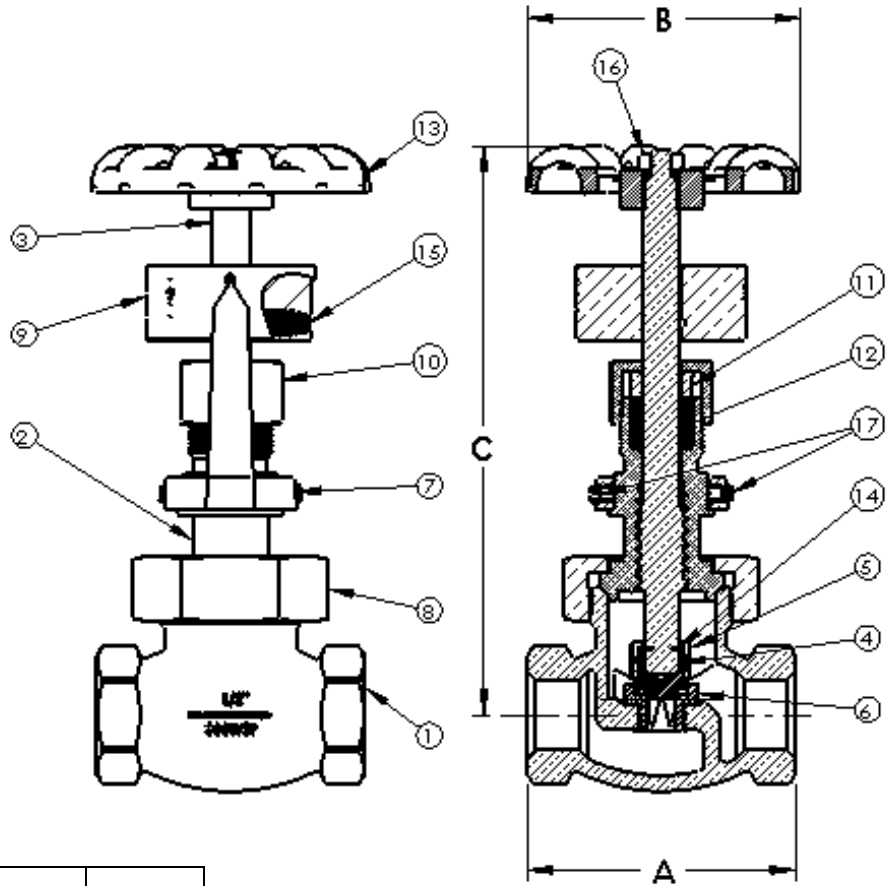
Model 363 Continuous Blow-Down Needle Valve

Complies with MSS-SP -80-2013



Class 300 • 100% Pressure Tested
 Globe Pattern • Threaded Ends
 Rising Stem with Swivel Disc Holder
 Calibrated “Easy to Read” Gauge with Pointer
 Stainless Steel Seat & Disc Hardened to 60 Rockwell “C”
 Max Pressure 390 PSI @ 500° F • Max. Pressure for
 Boiler Blow-Down 312 PSI
 CRN OCO7135.2C

MATERIAL LIST		
NO.	DESCRIPTION	MATERIAL
1	Body	Bronze
2	Bonnet	Bronze
3	Stem	Bronze
4	Valve Meter	Stainless
5	Meter Nut	Brass
6	Seat Ring	Stainless
7	Yoke	Bronze
8	Union Nut	Bronze
9	Gage Collar	Brass
10	Packing Nut	Brass
11	Packing Gland	Brass
12	Packing	NAFG
13	Hand Wheel	Zinc
14	E-Clip	Stainless
15	Set Screw	Stainless
16	Hex Nut	Stainless
17	Set Screw	Stainless



SIZE	A	B	C (Open)	C (Closed)	WGT.
1/2"	2.68	2.75	6.0	5.7	2.55
3/4"	3.10	2.75	6.6	6.3	3.25



UNITED BRASS WORKS, INC

714 S. Main St.. Randleman, N.C. 27317

Phone: 800/334-3035 Fax: 800/498-4696 www.ubw.com



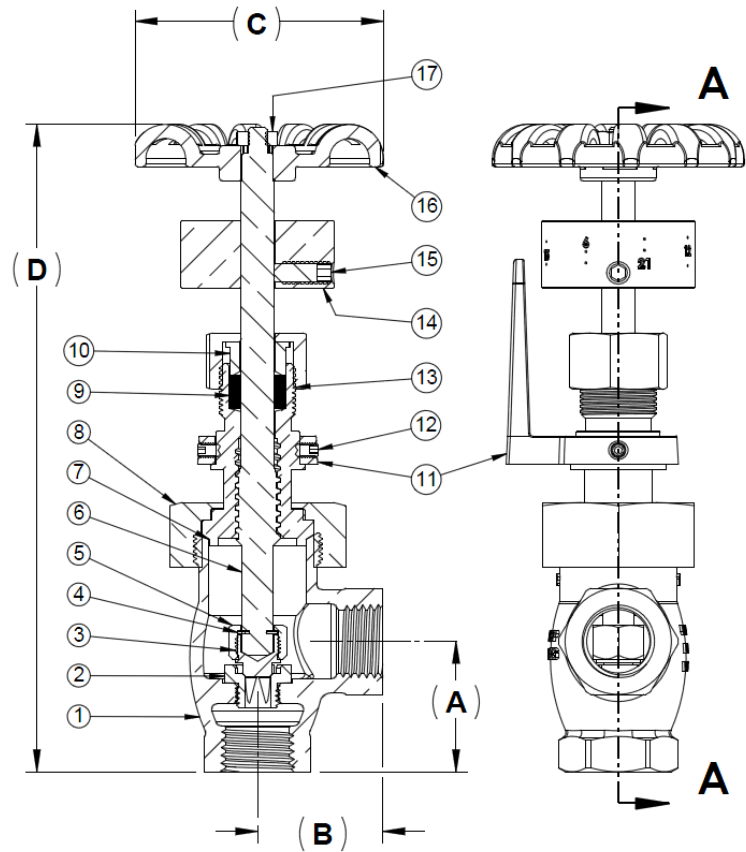
Model 364 Continuous Blow-Down Needle Valve

Complies with MSS-SP -80-2013



Class 300 • 100% Pressure Tested
Angle Pattern • Threaded Ends
Rising Stem with Swivel Disc Holder
Calibrated “Easy to Read” Gauge with Pointer
Stainless Steel Seat & Disc Hardened to 60 Rockwell “C”
Max Pressure 390 PSI @ 500° F • Max Pressure for Boiler
Blow-Down 312 PSI

CRN OCO7135.2C



MATERIAL LIST

NO.	DESCRIPTION	MATERIAL
1	Body	Bronze
2	Seat Ring	Stainless Steel
3	Valve Meter	Stainless Steel
4	E-Clip	Stainless Steel
5	Meter Nut	Brass
6	Stem	Brass
7	Bonnet	Brass
8	Bonnet Nut	Bronze
9	Packing	NAFG
10	Packing Gland	Brass
11	Gage Collar	Brass
12	Set Screw	Stainless Steel
13	Packing Nut	Brass
14	Gage Collar	Brass
15	Set Screw	Stainless Steel
16	Hand Wheel	Ductile Iron
17	Hex Nut	Stainless

SIZE	A	B	C	D (OPEN)	D (CLOSED)	WGT.
1/2"	1.45	1.40	2.80	7.48	7.10	2.75
3/4"	1.65	1.44	2.80	7.78	8.15	3.50



UNITED BRASS WORKS, INC.
 714 S. Main St. Randleman, N.C. 27317
 Tel: 800-334-3035 Fax: 800-498-4696 www.ubw.com



Model 99 Swing Check Valve



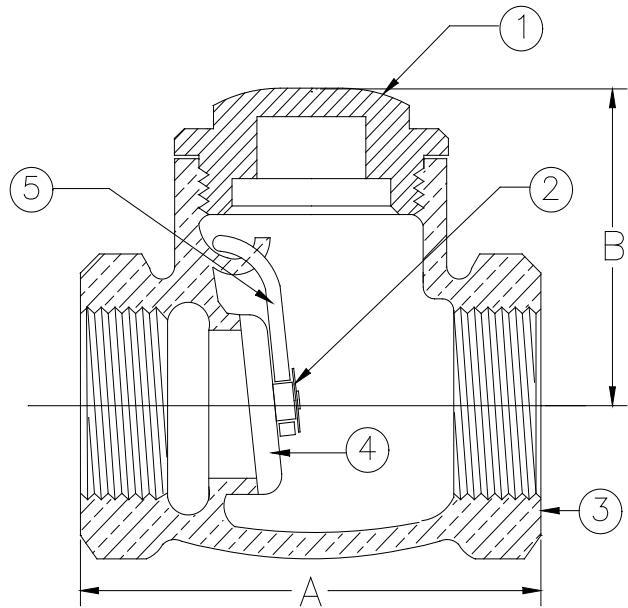
125 WSP @ 350° Max
200 WOG
100% Pressure Tested
Threaded Ends • Metal Disc
Integral Seat

Contains Lead. Not Intended for Use in Potable Water Systems

*Do not install laying on side. Keep seat clean.
 Not Recommended for Pulsating or Vibrating Service!*

MATERIAL LIST

NO.	DESCRIPTION	MATERIAL
1	Cap (1/4" – 1") Cap (1 1/4" – 2")	Brass Bronze
2	Washer	Brass
3	Body	Bronze
4	Disc	Brass
5	Hinge	Stainless Steel



Size	1/4"	3/8"	1/2"	3/4"	1"	1 1/4"	1 1/2"	2"
A	1.89	1.89	2.14	2.51	3.03	3.45	3.81	4.44
B	1.22	1.22	1.28	1.53	2.06	2.20	2.20	2.86
Ship Wgt. (lbs.)	0.45	0.45	0.58	0.81	1.62	1.81	2.41	3.42
Qty. Unit Pack	12	12	12	12	6	6	4	2
Qty. Per Case	60	60	60	60	30	18	12	6



UNITED BRASS WORKS, INC.

714 S. Main St., Randleman, NC 27317

Tel: 800-334-3035 Fax: 800-498-4696 www.ubw.com



Model 99S Swing Check Valve



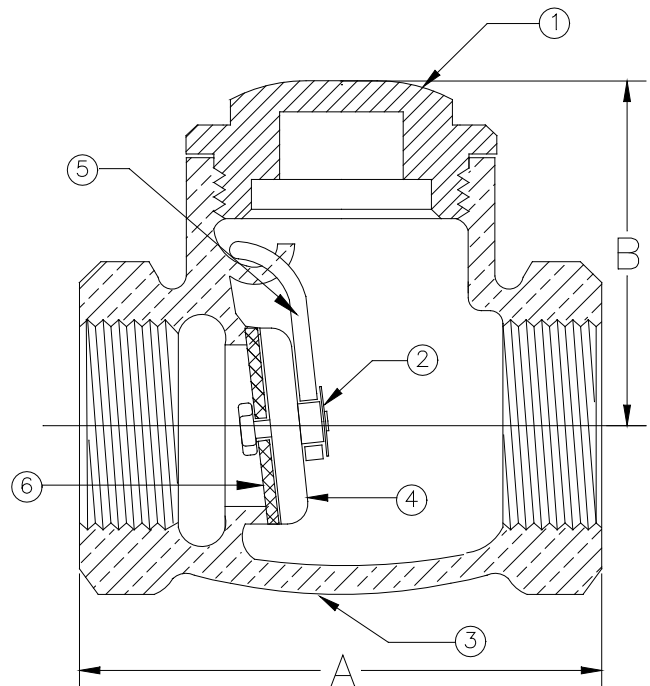
200 WOG @ 180 ° Max
100% Pressure Tested • Integral Seat
Threaded Ends • Soft Disc

Not recommended for pulsating or vibrating service.

Do Not Install laying on side.

Keep seat clean.

Contains Lead. Not Intended for Use in Potable Water Systems



MATERIAL LIST

NO.	DESCRIPTION	MATERIAL
1	Cap (1/4" - 1") Cap (1/4" - 2")	Brass Bronze
2	Washer	Brass
3	Body	Bronze
4	Disc	Brass
5	Hinge	Stainless Steel
6	Disc	Buna-N

Size	1/4"	3/8"	1/2"	3/4"	1"	1 1/4"	1 1/2"	2"
A	1.89	1.89	2.14	2.51	3.03	3.45	3.81	4.44
B	1.22	1.22	1.28	1.53	2.06	2.20	2.20	2.86
Ship Wgt. (lbs.)	0.45	0.45	0.58	0.81	1.62	1.81	2.41	3.42
Qty. Unit Pack	12	12	12	12	6	6	4	2
Qty. Per Case	60	60	60	60	30	18	12	6



UNITED BRASS WORKS, INC.
 714 S. Main St. Randleman, N.C. 27317
 Tel: 800-334-3035 Fax: 800-498-4696 www.ubw.com



Model 99T Swing Check Valve

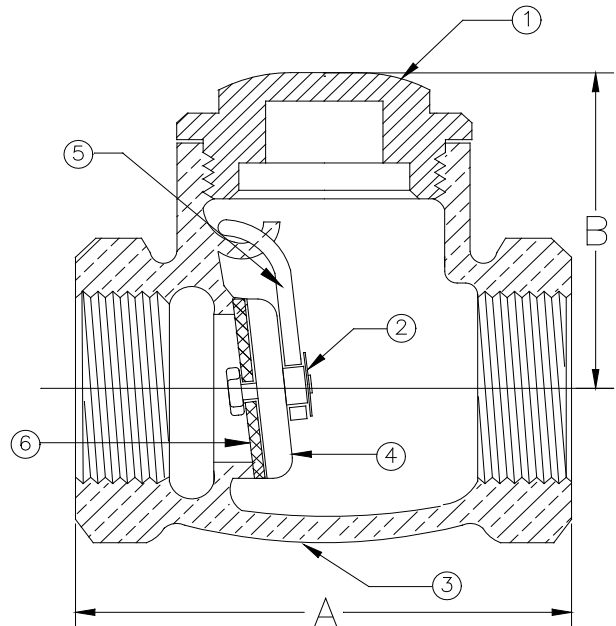
125WSP @ 350° Max
200 WOG
100% Pressure Tested
Threaded Ends • PTFE Disc
Integral Seal

Contains Lead. Not Intended for Use in Potable Water Systems

Not recommended for pulsating or vibrating service.
Do Not Install laying on side.
Keep seat clean.

MATERIAL LIST

NO.	DESCRIPTION	MATERIAL
1	Cap (¼" – 1") Cap (1¼" – 2")	Brass Bronze
2	Washer	Brass
3	Body	Bronze
4	Disc	Brass
5	Hinge	Stainless Steel
6	Disc	PTFE



Size	¼"	3/8"	½"	¾"	1"	1 ¼"	1 ½"	2"
A	1.89	1.89	2.14	2.51	3.03	3.45	3.81	4.44
B	1.22	1.22	1.28	1.53	2.06	2.20	2.20	2.86
Ship Wgt. (lbs.)	0.45	0.45	0.58	0.81	1.62	1.81	2.41	3.42
Qty. Unit Pack	12	12	12	12	6	6	4	2
Qty. Per Case	60	60	60	60	30	18	12	6



UNITED BRASS WORKS, INC.

714 S. Main St. Randleman, N.C. 27317

Tel: 800-334-3035 Fax: 800-498-4696 www.ubw.com



Model 62 Swing Check Valve

Complies with MSS-SP-80-2013

CRN OCO7135.2C

200WSP @ 406° Max

400 WOG

100% Pressure Tested

Threaded Ends

Contains Lead. Not Intended for Use in Potable Water Systems

Install in horizontal position with cap in upright position.

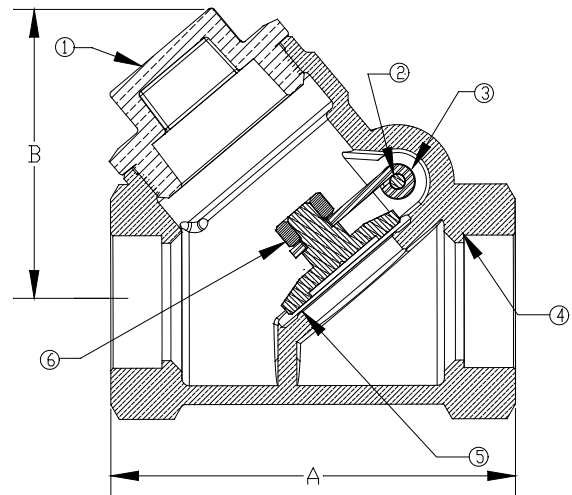
Not recommended for pulsating or vibrating service.



When used on Boiler feed line it is recommended that a #50T spring loaded check valve be used in conjunction with #62 with the #62 located nearest to the boiler and the #50T located nearest to the pump.

MATERIAL LIST

NO.	DESCRIPTION	MATERIAL
1	Cap (1/4" - 3/4") Cap (1" - 3")	Brass Bronze
2	Hinge Pin	Brass
3	Hinge	Stainless Steel
4	Body	Bronze
5	Disc	Bronze
6	Disc Nut	Brass



Size	1/4"	3/8"	1/2"	3/4"	1"	1 1/4"	1 1/2"	2"	3"
A	2.38	2.53	2.66	3.09	3.53	5.13	5.13	5.56	9.13
B	1.53	1.53	1.53	1.88	2.09	3.63	3.63	4.56	5.58
Ship Wgt. (lbs.)	0.75	0.81	0.76	1.19	1.73	5.75	5.75	10.00	29.00
Qty. Per Ctn.	12	12	12	12	6	2	2	1	1



UNITED BRASS WORKS, INC.
 714 S. Main St. Randleman, N.C. 27317
 Tel: 800-334-3035 Fax: 800-498-4696 www.ubw.com



Model 62S Swing Check Valve
Complies with MSS-SP-80-2013

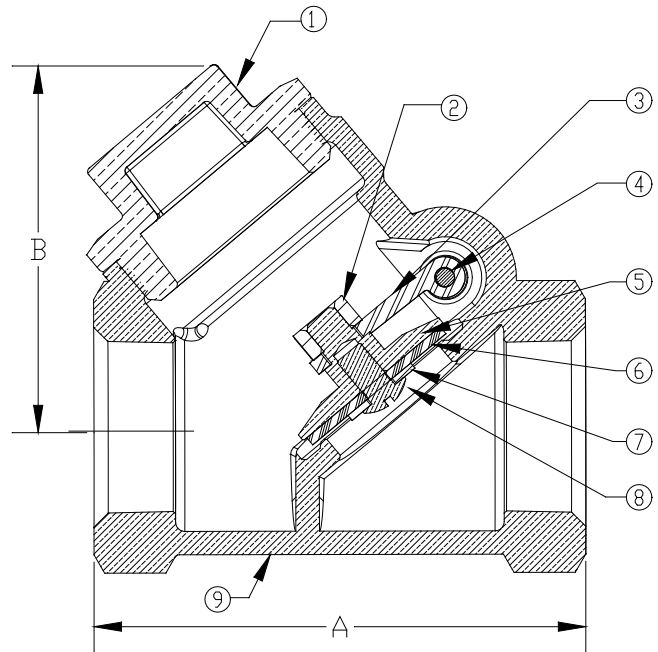
400 WOG @ 180 ° Max
100% Pressure Tested
Threaded Ends

Contains Lead. Not Intended for Use in Potable Water Systems

*Install in horizontal position with cap in upright position.
 Not recommended for pulsating or vibrating service.*

MATERIAL LIST

NO.	DESCRIPTION	MATERIAL
1	Cap (1/4" - 3/4") Cap (1" - 3")	Brass Bronze
2	Disc Nut	Brass
3	Hinge	Stainless Steel
4	Hinge Pin	Brass
5	Disc Holder	Brass
6	Disc	Buna-N
7	Washer	Brass
8	Screw	Brass
9	Body	Bronze



Size	1/4"	3/8"	1/2"	3/4"	1"	1 1/4"	1 1/2"	2"
A	3.38	2.53	2.66	3.09	3.53	5.13	5.13	5.56
B	1.53	1.53	1.53	1.88	2.09	3.63	3.63	4.56
Ship Wgt. (lbs.)	0.75	0.81	0.76	1.19	1.73	5.75	5.75	10.00
Qty. Per Ctn.	12	12	12	12	6	2	2	1



UNITED BRASS WORKS, INC.
 714 S. Main St. Randleman, N.C. 27317
 Tel: 800-334-3035 Fax: 800-498-4696 www.ubw.com



Model 62T Swing Check Valve

Complies with MSS-SP-80-2013

CRN OCO7135.2C

200WSP @ 406° Max

400 WOG

100% Pressure Tested

Threaded Ends

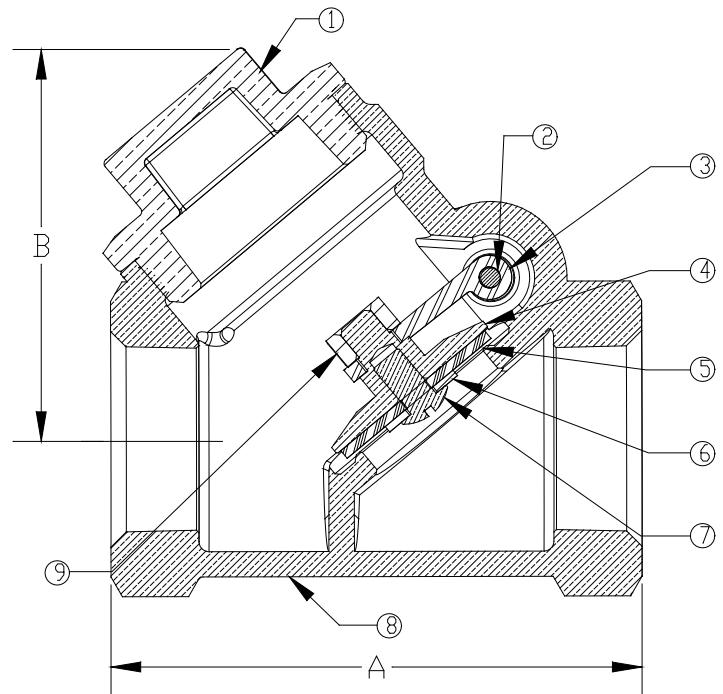
PTFE Disc

Contains Lead. Not Intended for Use in Potable Water Systems

*Install in horizontal position with cap in upright position.
 Not recommended for pulsating or vibrating service.*

MATERIAL LIST

NO.	DESCRIPTION	MATERIAL
1	Cap (1/4" - 3/4") Cap (1" - 3")	Brass Bronze
2	Hinge Pin	Brass
3	Hinge	Stainless steel
4	Disc	Bronze
5	Disc	PTFE
6	Washer	Brass
7	Screw	Brass
8	Body	Bronze
9	Disc Nut	Brass



Size	1/4"	3/8"	1/2"	3/4"	1"	1 1/4"	1 1/2"	2"
A	3.38	2.53	2.66	3.09	3.53	5.13	5.13	5.56
B	1.51	1.53	1.53	1.88	2.09	3.63	3.63	4.56
Ship Wgt. (lbs.)	0.75	0.81	0.76	1.19	1.73	5.75	5.75	10.00
Qty. Per Ctn.	12	12	12	12	6	2	2	1



UNITED BRASS WORKS, INC.
 714 S. Main St. Randleman, N.C. 27317
 Tel: 800-334-3035 Fax: 800-498-4696 www.ubw.com



Model 63 Swing Check Valve

Complies with MSS-SP-80-2013

CRN 0C07135.2C

300 WSP

600 WOG

100% Pressure Tested

Threaded Ends

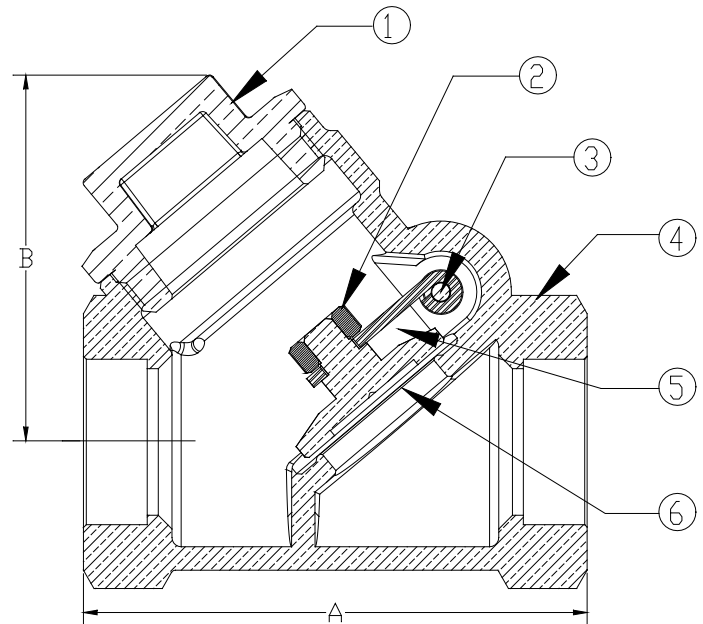


Contains lead. Not Intended for Use in Potable Water Systems

*Install in horizontal position with cap in upright position.
 Not recommended for pulsating or vibrating service.*

MATERIAL LIST

NO.	DESCRIPTION	MATERIAL
1	Cap (1/2" - 3/4") Cap (1" - 3")	Brass Bronze
2	Disc Nut	Bronze
3	Hinge Pin	Brass
4	Body	Bronze
5	Hinge	Stainless Steel
6	Disc	Bronze



Size	1/2"	3/4"	1"	1 1/4"	1 1/2"	2"	3"
A	2.66	3.09	3.53	5.13	5.13	5.56	9.13
B	1.53	1.88	2.09	3.63	3.63	4.56	5.58
Ship Wgt. (lbs.)	0.76	1.19	1.73	5.75	5.75	10.00	29.00
Qty. Per Ctn.	12	12	6	2	2	1	1



UNITED BRASS WORKS, INC

714 S. Main St.. Randleman, N.C. 27317

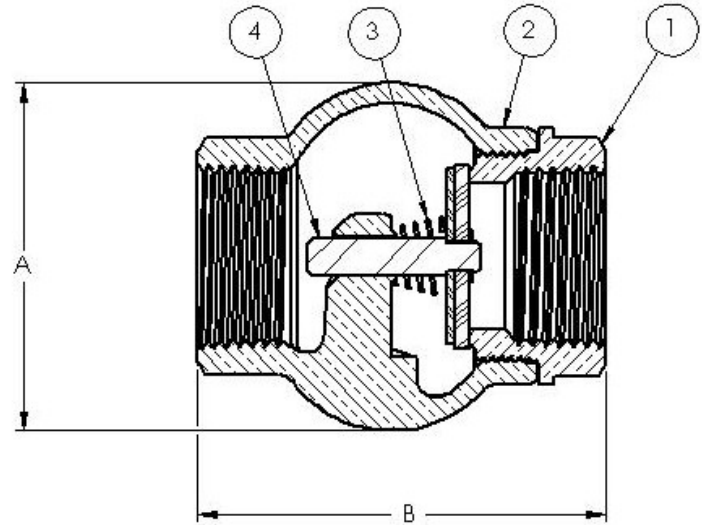
Phone: 800/334-3035 Fax: 800/498-4696



Model 97S Full Flow In-Line Check Valve 300 WOG @ 180°F Max

100% Pressure Tested

Threaded Ends • Soft Disc • Integral Seat



MATERIAL LIST

NO.	DESCRIPTION	MATERIAL
1	Tailpiece	Brass
2	Body	Brass
3	Spring	Stainless Steel
4	Disc Holder Assembly	Stainless Steel

Size	A	B	Weight
1/4"	1.00	1.90	.32
1/2"	1.30	2.10	.40
3/4"	1.58	2.21	.55
1"	2.40	2.80	1.10



UNITED BRASS WORKS, INC.
 714 S. Main St. Randleman, N.C. 27317
 Tel: 800-334-3035 Fax: 800-498-4696 www.ubw.com



Model 55S Spring Check Air Control Valve

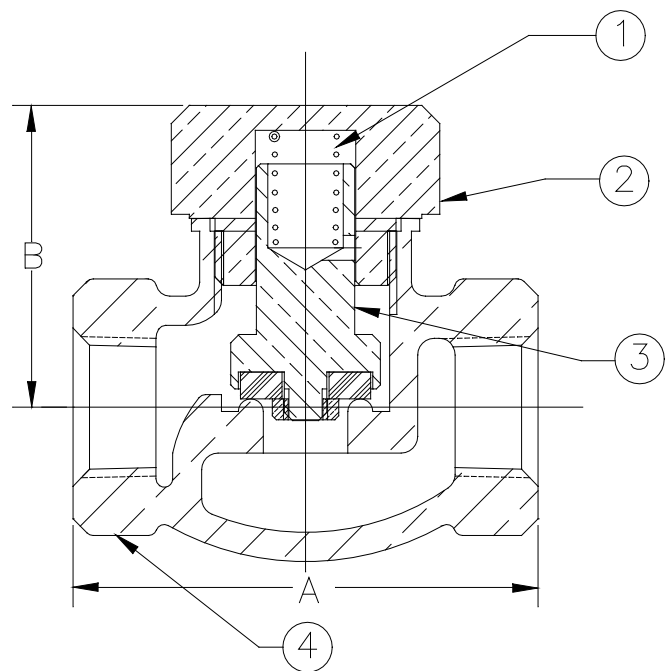
200 WOG @ 180 ° Max
100% Pressure Tested
Threaded Ends
Soft Disc
Integral Seat

***Contains Lead. Not Intended for Use
in Potable Water Systems***

MATERIAL LIST

NO.	DESCRIPTION	MATERIAL
1	Spring	Stainless Steel
2	Cap	Brass
3	Disc Holder Assembly	Brass
4	Body	Bronze

Size	1/4"
A	1.75
B	1.12
Ship Wgt (lbs.)	0.20
Qty. per Ctn.	12





UNITED BRASS WORKS, INC.
 714 S. Main St. Randleman, N.C. 27317
 Tel: 800-334-3035 Fax: 800-498-4696 www.ubw.com



Model 50 Check Valve

Spring Loaded Lift Check
Complies with MSS-SP-80-2013

400 WOG @ 180 ° Max

100% Pressure Tested

Threaded Ends • Soft Disc

Integral Seat

Equipped with 24S Soft Disc for Water Service

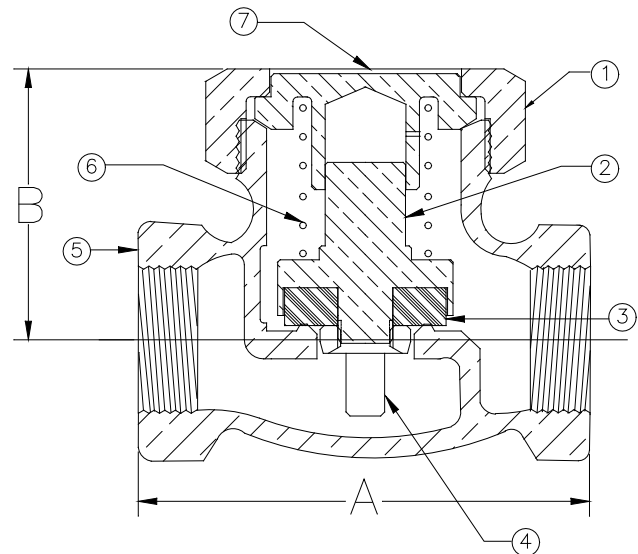
Not recommend for steam service

**Contains Lead. Not For Use in Water Systems*

*Intended for Human Consumption**

MATERIAL LIST

NO.	DESCRIPTION	MATERIAL
1	Bonnet Nut (1/4" – 3/8") Bonnet Nut (1/2" – 2")	Brass Bronze
2	Disc Holder (1/4" -3/4") Disc Holder (1" – 2")	Brass Bronze
3	Soft Disc	Buna
4	Disc Holder Nut (1/4" – 11/4") Disc Holder Nut (11/2" – 2")	Brass Bronze
5	Body	Bronze
6	Spring	Stainless Steel
7	Guide (1/4" – 3/4") Guide (1" – 2")	Brass Bronze



Size	1/4"	3/8"	1/2"	3/4"	1"	1 1/4"	1 1/2"	2"
A	2.19	2.36	2.59	3.17	3.75	4.28	4.78	5.88
B	1.19	1.50	1.88	1.81	2.06	2.38	2.63	3.25
Ship Wgt. (lbs.)	0.56	0.75	1.03	1.61	2.44	3.84	5.20	9.00
Qty. Per Ctn.	12	12	12	6	6	2	2	1



UNITED BRASS WORKS, INC.

714 S. Main St. Randleman, N.C. 27317

Tel: 800-334-3035 Fax: 800-498-4696 www.ubw.com



Model 50T Check Valve Spring Loaded Lift Check Complies with MSS-SP-80-2013

CRN OCO7135.2C
200WSP @ 406° Max
400 WOG

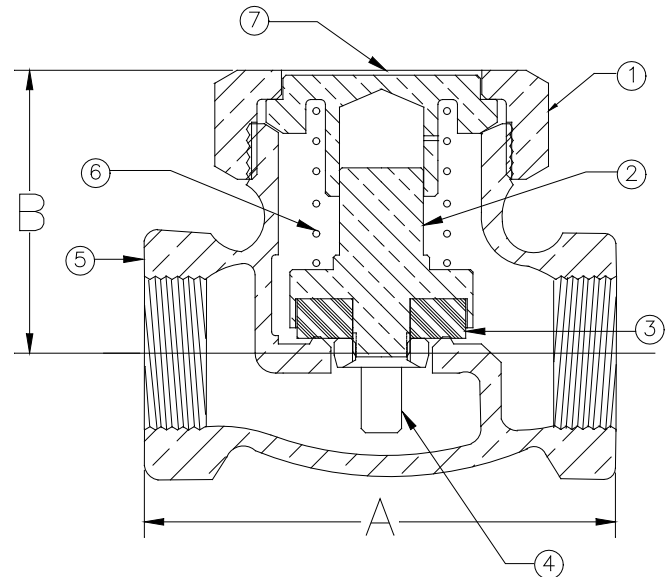
100% Pressure Tested
Threaded Ends • PTFE Disc
Integral Seat

Contains Lead. Not Intended for Use in Potable Water Systems

Equipped with 50TG PTFE disc for general service, including steam.

MATERIAL LIST

NO.	DESCRIPTION	MATERIAL
1	Bonnet Nut (1/4" - 3/8") Bonnet Nut (1/2" - 2")	Brass Bronze
2	Disc Holder (1/4" - 3/4") Disc Holder (1" - 2")	Brass Bronze
3	Disc	PTFE
4	Disc Holder Nut (1/4" - 1 1/4") Disc Holder Nut (1 1/2" - 2")	Brass Bronze
5	Body	Bronze
6	Spring	Stainless Steel
7	Guide (1/4" - 3/4") Guide (1" - 2")	Brass Bronze



Size	1/4"	3/8"	1/2"	3/4"	1"	1 1/4"	1 1/2"	2"
A	2.19	2.36	2.59	3.17	3.75	4.28	4.78	5.88
B	1.19	1.50	1.88	1.81	2.06	2.38	2.63	3.25
Ship Wgt. (lbs.)	0.56	0.75	1.03	1.61	2.44	3.84	5.20	9.00
Qty. Per Ctn.	12	12	12	6	6	2	2	1



UNITED BRASS WORKS, INC.
 714 S. Main St. Randleman, N.C. 27317
 Tel: 800-334-3035 Fax: 800-498-4696 www.ubw.com



Model 50LS Lift Check Valve
Complies with MSS-SP-80-2013

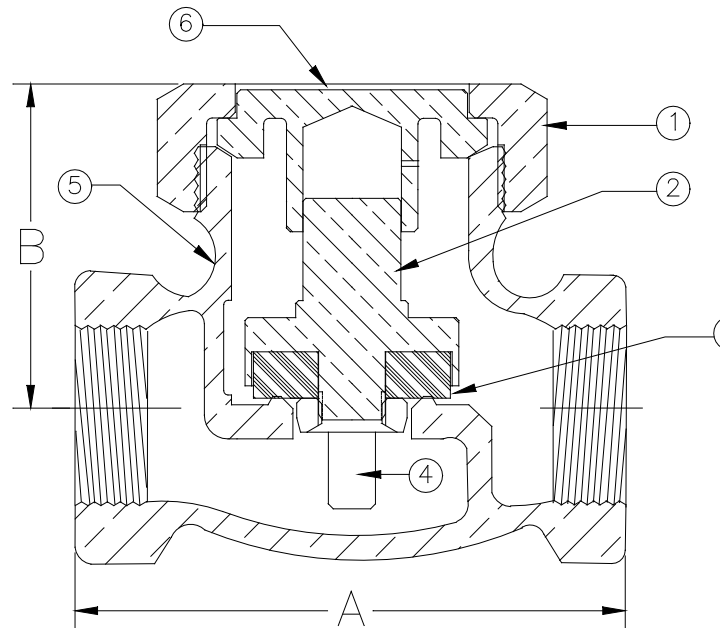
400 WOG @ 180 ° Max
100% Pressure Tested
Threaded Ends • Soft Disc
Integral Seat

Contains Lead. Not Intended for Use in Potable Water Systems

Not recommended for steam service.

MATERIAL LIST

NO.	DESCRIPTION	MATERIAL
1	Bonnet Nut (1/4" – 3/8") Bonnet Nut (1/2" – 2")	Brass Bronze
2	Disc Holder (1/4" – 3/4") Disc Holder (1" – 2")	Brass Bronze
3	Soft Disc	Buna-N
4	Disc Holder Nut (1/4" – 1 1/4") Disc Holder Nut (1 1/2" – 2")	Brass Bronze
5	Body	Bronze
6	Guide (1/4" – 3/4") Guide (1" – 2")	Brass Bronze



Size	1/4"	3/8"	1/2"	3/4"	1"	1 1/4"	1 1/2"	2"
A	2.19	2.36	2.59	3.17	3.75	4.28	4.78	5.88
B	1.19	1.50	1.88	1.81	2.06	2.38	2.63	3.25
Ship Wgt. (lbs.)	0.56	0.75	1.03	1.61	2.44	3.84	5.20	9.00
Qty. Per Ctn.	12	12	12	6	6	2	2	1



UNITED BRASS WORKS, INC.

714 S. Main St. Randleman, N.C. 27317

Tel: 800-334-3035 Fax: 800-498-4696 www.ubw.com



Model 50TLS Lift Check Valve Complies with MSS-SP-80-2013 CRN OCO7135.2C

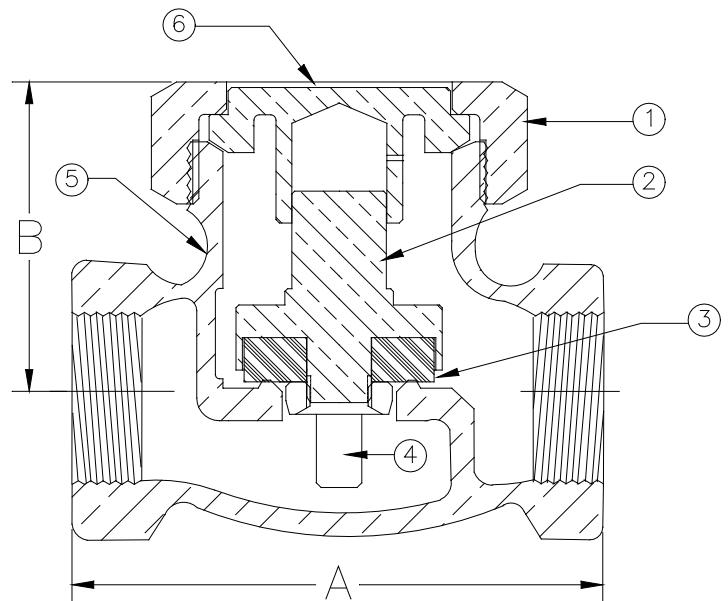
**200WSP @ 406° Max
400 WOG**

**100% Pressure Tested
Threaded Ends • PTFE Disc
Integral Seat**

***Contains Lead. Not Intended for Use in Potable
Water Systems***

MATERIAL LIST

NO.	DESCRIPTION	MATERIAL
1	Bonnet Nut (1/4" – 3/8") Bonnet Nut (1/2" – 2")	Brass Bronze
2	Disc Holder (1/4" – 3/4") Disc Holder (1" – 2")	Brass Bronze
3	Disc	PTFE
4	Disc Holder Nut (1/4" – 1 1/4") Disc Holder Nut (1 1/2" – 2")	Brass Bronze
5	Body	Bronze
6	Guide (1/4" – 3/4") Guide (1" – 2")	Brass Bronze



Size	1/4"	3/8"	1/2"	3/4"	1"	1 1/4"	1 1/2"	2"
A	2.19	2.36	2.59	3.17	3.75	4.28	4.78	5.88
B	1.19	1.50	1.88	1.81	2.06	2.38	2.63	3.25
Ship Wgt. (lbs.)	0.56	0.75	1.03	1.61	2.44	3.84	5.20	9.00
Qty. Per Ctn.	12	12	12	6	6	2	2	1



UNITED BRASS WORKS, INC.
 714 S. Main St. Randleman, N.C. 27317
 Tel: 800-334-3035 Fax: 800-498-4696 www.ubw.com



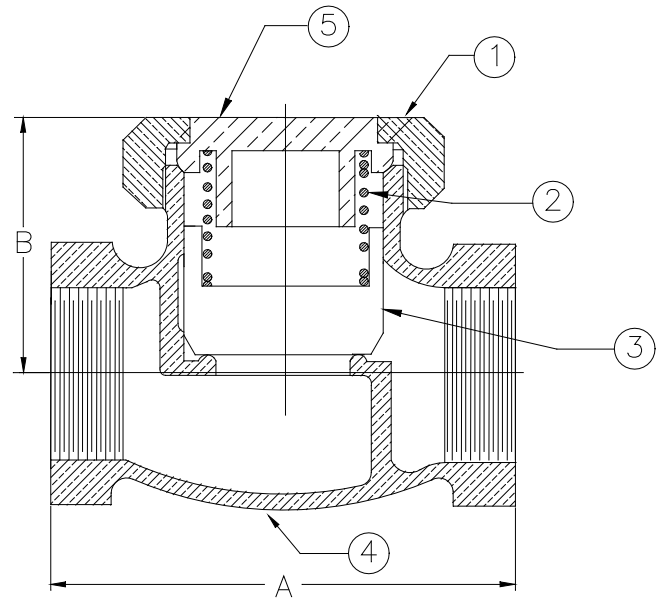
Model 53 Check Valve
Full Flow Spring-Loaded Lift Check
Complies with MSS-SP-80-2013
CRN COC7135.2C

200WSP @ 406° Max
400 WOG
100% Pressure Tested
Threaded Ends • Solid PTFE Disc
Integral Seat

Contains Lead. Not Intended for Use in Potable Water Systems

MATERIAL LIST

NO.	DESCRIPTION	MATERIAL
1	Bonnet Nut (1/4" – 3/8") Bonnet Nut (1/2" – 2")	Brass Bronze
2	Spring	Stainless Steel
3	Disc	PTFE
4	Body	Bronze
5	Guide (1/4" – 3/4") Guide (1" – 2")	Brass Bronze



Size	1/4"	3/8"	1/2"	3/4"	1"	1 1/4"	1 1/2"	2"
A	2.19	2.36	2.59	3.17	3.75	4.28	4.78	5.88
B	1.19	1.50	1.88	1.81	2.06	2.38	2.63	3.25
Ship Wgt. (lbs.)	0.56	0.75	1.03	1.61	2.44	3.84	5.20	9.00
Qty. Per Ctn.	12	12	12	6	6	2	2	1



UNITED BRASS WORKS, INC.

714 S. Main St. Randleman, N.C. 27317

Tel: 800-334-3035 Fax: 800-498-4696 www.ubw.com



Model 350T Check Valve Spring-Loaded Lift Check Complies with MSS-SP-80-2013 CRN OCO7135.2C



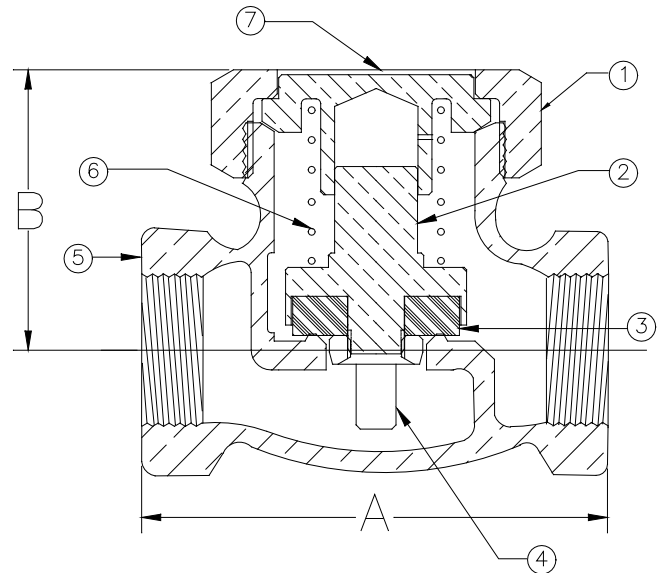
300WSP • 600 WOG
100% Pressure Tested
Threaded Ends • PTFE Disc
Integral Seat

Contains Lead. Not Intended for Use in Potable Water Systems

Equipped with 50TG PTFE disc for general service, including steam.

MATERIAL LIST

NO.	DESCRIPTION	MATERIAL
1	Bonnet Nut (1/4" - 3/8") Bonnet Nut (1/2" - 2")	Brass Bonze
2	Disc Nut (1/4" - 3/4") Disc Nut (1" - 2")	Brass Bronze
3	Disc	PTFE
4	Disc Holder Nut (1/4" - 1 1/4") Disc Holder Nut (1 1/2" - 2")	Brass Bronze
5	Body	Bronze
6	Spring	Stainless Steel
7	Guide (1/4" - 3/4") Guide 1" - 2")	Brass Bronze



Size	1/2"	3/4"	1"	1 1/4"	1 1/2"	2"
A	2.59	3.17	3.75	4.28	4.78	5.88
B	1.88	1.81	2.06	2.38	2.63	3.25
Ship Wgt. (lbs.)	1.03	1.61	2.44	3.84	5.20	9.00
Qty. Per Ctn.	12	6	6	2	2	1



UNITED BRASS WORKS, INC.

714 S. Main St. Randleman, N.C. 27317

Tel: 800-334-3035 Fax: 800-498-4696 www.ubw.com



Model 350TLS Lift Check Valve Complies with MSS-SP-80-2013 CRNOCO7135.2C

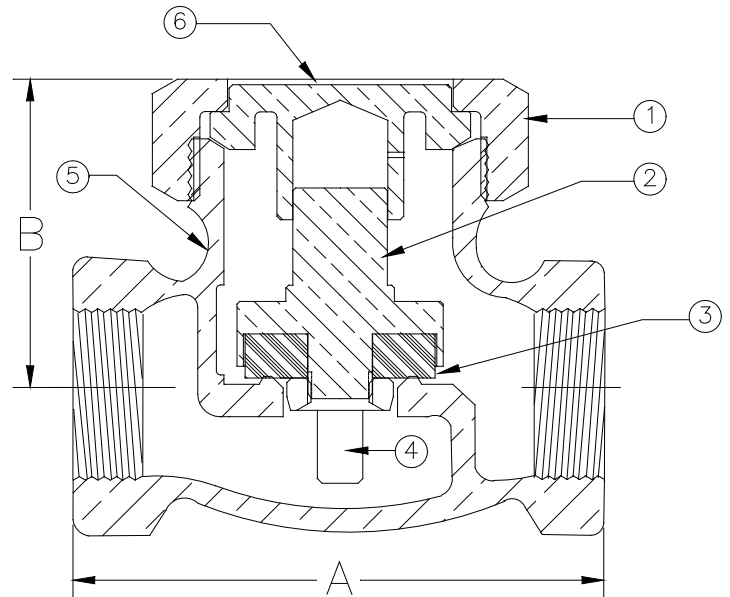
300WSP • 600 WOG
100% Pressure Tested
Threaded Ends • PTFE Disc
Integral Seat

Contains Lead. Not Intended for Use in Potable Water Systems

Same as 350T except there is no spring.

MATERIAL LIST

NO.	DESCRIPTION	MATERIAL
1	Bonnet Nut (1/4" - 3/8") Bonnet Nut (1/2" - 2")	Brass Bronze
2	Disc Holder (1/4" - 3/4") Disc Holder (1" - 2")	Brass Bronze
3	Disc	PTFE
4	Disc Holder Nut (1/4" - 1 1/4") Disc Holder Nut (1 1/2" - 2")	Brass Bronze
5	Body	Bronze
6	Guide (1/4" - 3/4") Guide (1" - 2")	Brass Bronze



Size	1/2"	3/4"	1"	1 1/4"	1 1/2"	2"
A")/	2.59	3.17	3.75	4.28	4.78	5.88
B	1.88	1.81	2.06	2.38	2.63	3.25
Ship Wgt. (lbs.)	1.03	1.61	2.44	3.84	5.20	9.00
Qty. Per Ctn.	12	6	6	2	2	1



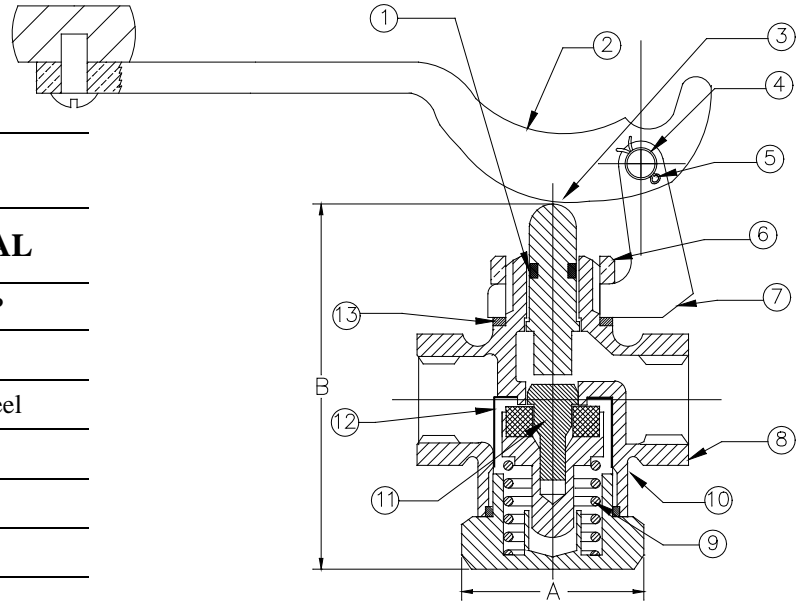
UNITED BRASS WORKS, INC.
 714 S. Main St. Randleman, N.C. 27317
 Tel: 800-334-3035 Fax: 800-498-4696 www.ubw.com



Model 44SS Whistle Valve
Quick-Opening Self-Closing Globe Valve
With Yoke & Lever

CRN OCO7135.2C
Built-In Strainer Screen
150WSP • 400 WOG
100% Pressure Tested
Threaded Ends
PTFE Disc • Integral Seat

Contains Lead. Not Intended for Use in Potable Water Systems



MATERIAL LIST

NO.	DESCRIPTION	MATERIAL
1	O-Ring	008 TFE/P
2	Lever	Bronze
3	Stem	Stainless Steel
4	Clevis Pin	Steel
5	Cotter Pin	Steel
6	Lock Nut	Brass
7	Yoke	Bronze
8	Body	Bronze
9	Spring	Stainless Steel
10	Cap	Brass
11	Disc Holder	Brass
12	Screen	Stainless Steel
13	Lock Washer	Copper

	A	B	Qty. Per Ctn.
44SS 1/4"	1.88	2.50	12



UNITED BRASS WORKS, INC.

714 S. Main St. Randleman, N.C. 27317

Tel: 800-334-3035 Fax: 800-498-4696 www.ubw.com



Model 44 Whistle Valve

Quick-Opening Self-Closing Globe Valve

Less Yoke & Lever

150WSP • 400 WOG

100% Pressure Tested

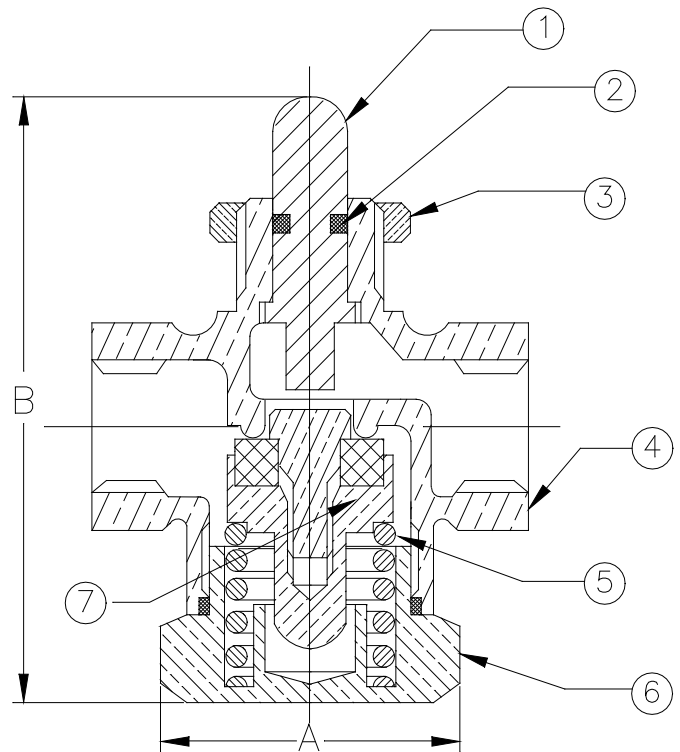
Threaded Ends

PTFE Disc • Integral Seat

Contains Lead. Not Intended for Use in Potable Water Systems

MATERIAL LIST

NO.	DESCRIPTION	MATERIAL
1	Stem	Stainless Steel
2	O-Ring	008 TFE/P
3	Lock Nut	Brass
4	Body	Bronze
5	Spring	Stainless Steel
6	Cap	Brass
7	Disc Holder	Bronze



	A	B	Qty. Per Ctn.
44 1/4"	1.88	2.50	25



UNITED BRASS WORKS, INC.
 714 S. Main St. Randleman, N.C. 27317
 Tel: 800-334-3035 Fax: 800-498-4696 www.ubw.com

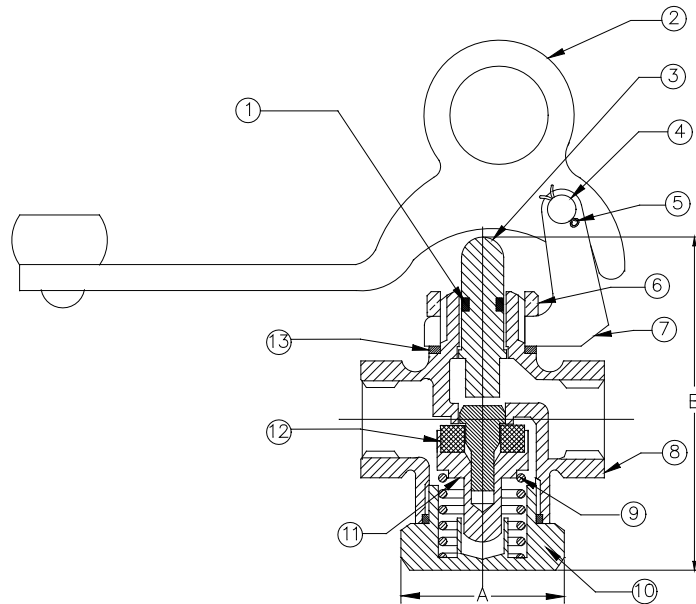


Model 44NY Whistle Valve
Quick-Opening Self-Closing Globe Valve
With Yoke & Loop Handle Lever

CRN OCO7135.2C
150WSP • 400 WOG
100% Pressure Tested
Threaded Ends
PTFE Disc • Integral Seat
Contains Lead. Not Intended for Use in Potable Water Systems

MATERIAL LIST

NO.	DESCRIPTION	MATERIAL
1	O-Ring	008 TFE/P
2	Lever	Bronze
3	Stem	Stainless Steel
4	Clevis Pin	Steel
5	Cotter Pin	Steel
6	Lock Nut	Brass
7	Yoke	Bronze
8	Body	Bronze
9	Spring	Stainless Steel
10	Cap	Brass
11	Disc Holder	Brass
12	Disc	PTFE
13	Washer	Copper



	A	B	Qty. Per Ctn.
44NY 1/4"	1.88	2.50	12



UNITED BRASS WORKS, INC.
 714 S. Main St. Randleman, N.C. 27317
 Tel: 800-334-3035 Fax: 800-498-4696 www.ubw.com

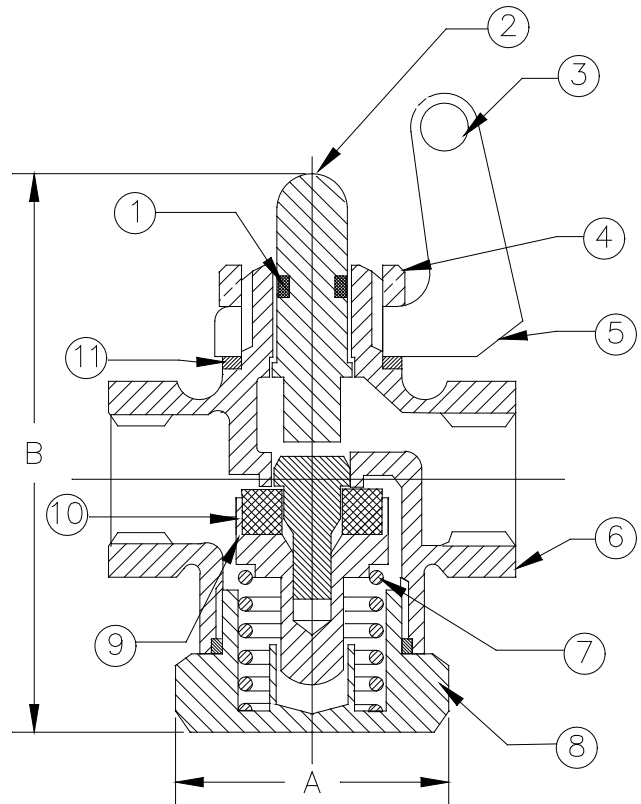


Model 44NYLL Whistle Valve
Quick-Opening Self-Closing Globe Valve
With Yoke Less Lever

CRN OCO7135.2C
150WSP • 400 WOG
100% Pressure Tested
Threaded Ends
PTFE Disc • Integral Seat
Contains Lead. Not Intended for Use in Potable Water Systems

MATERIAL LIST

NO.	DESCRIPTION	MATERIAL
1	O-Ring	008 TFE/P
2	Stem	Stainless Steel
3	Clevis Pin	Steel
4	Lock Nut	Brass
5	Yoke	Bronze
6	Body	Bronze
7	Spring	Stainless Steel
8	Cap	Brass
9	Disc Holder	Brass
10	Disc	PTFE
11	Washer	Copper



	A	B	Qty. Per Ctn.
44NYLL 1/4"	1.88	2.50	10



UNITED BRASS WORKS, INC.

714 S. Main St. Randleman, N.C. 27317

Tel: 800-334-3035 Fax: 800-498-4696 www.ubw.com



Model 25WT Whistle Valve Quick-Opening Self-Closing Globe Valve

CRN OCO7135.2C

200WSP @ 406° Max

400 WOG

100% Pressure Tested

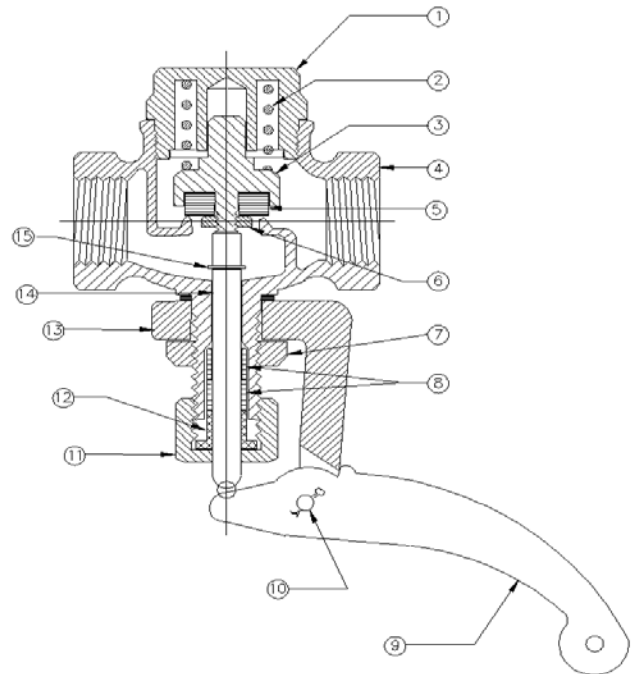
Threaded Ends

PTFE Disc • Integral Seat

Contains Lead. Not Intended for Use in Potable Water Systems

MATERIAL LIST

NO.	DESCRIPTION	MATERIAL
1	Cap	Brass
2	Spring	Stainless Steel
3	Disc Holder	Brass
4	Body	Bronze
5	Disc	PTFE
6	Disc Nut	Brass
7	Lock Nut	Bras
8	Packing	NAFG
9	Lever	Bronze
10	Clevis Pin	Steel
11	Packing Nut	Brass
12	Packing Gland	Brass
13	Yoke	Bronze
14	Stem	Stainless Steel
15	Retaining Ring	Steel



	A	B	Qty. Per Ctn.
25WT 1/4"	2.34	3.22	10
25WT 3/8"	2.34	3.22	6
25WT 1/2"	2.69	4.00	5
25WT 3/4"	3.00	4.50	6
25WT 1"	3.75	5.25	4



UNITED BRASS WORKS, INC.
 714 S. Main St. Randleman, N.C. 27317
 Tel: 800-334-3035 Fax: 800-498-4696 www.ubw.com



Model 25WTBL Whistle Valve
Quick-Opening

Self-Closing Globe Valve

With Button Lever

CRN OCO7135.2C

200WSP • 400 WOG

100% Pressure Tested

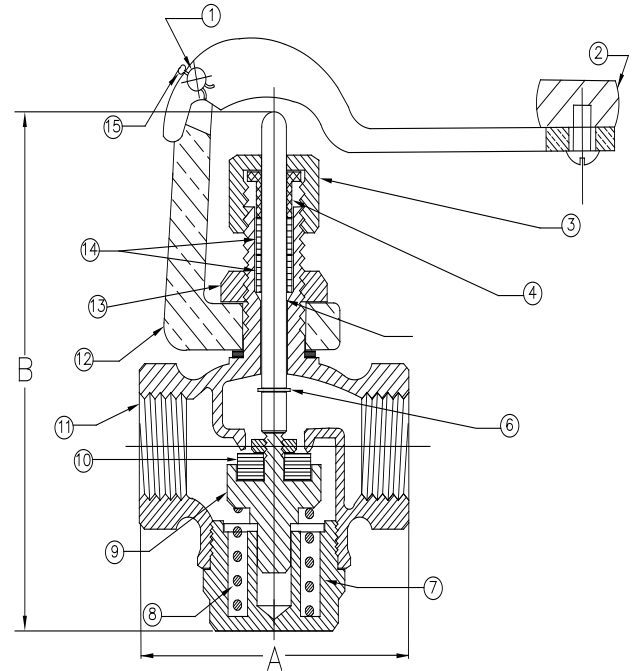
Threaded Ends

PTFE Disc • Integral Seat

Contains Lead. Not Intended for Use in Potable Water Systems

MATERIAL LIST

NO.	DESCRIPTION	MATERIAL
1	Clevis Pin	Steel
2	Lever	Bronze
3	Packing Nut	Brass
4	Packing Gland	Brass
5	Stem	Stainless Steel
6	Retaining Ring	Steel
7	Cap	Brass
8	Spring	Stainless Steel
9	Disc Holder	Brass
10	Disc	PTFE
11	Body	Bronze
12	Yoke	Bronze
13	Lock Nut	Brass
14	Packing	NAFG
15	Cotter Pin	Steel



	A	B	Qty. Per Ctn.
25WTBL 3/8"	2.34	3.21	6
25WTBL 1/2"	2.69	4.00	5



UNITED BRASS WORKS, INC.

714 S. Main St. Randleman, N.C. 27317

Tel: 800-334-3035 Fax: 800-498-4696 www.ubw.com



Model 25WACT Whistle Valve

Quick-Opening

Self-Closing Globe Valve

CRN OCO7135.2C

200WSP • 400 WOG

100% Pressure Tested

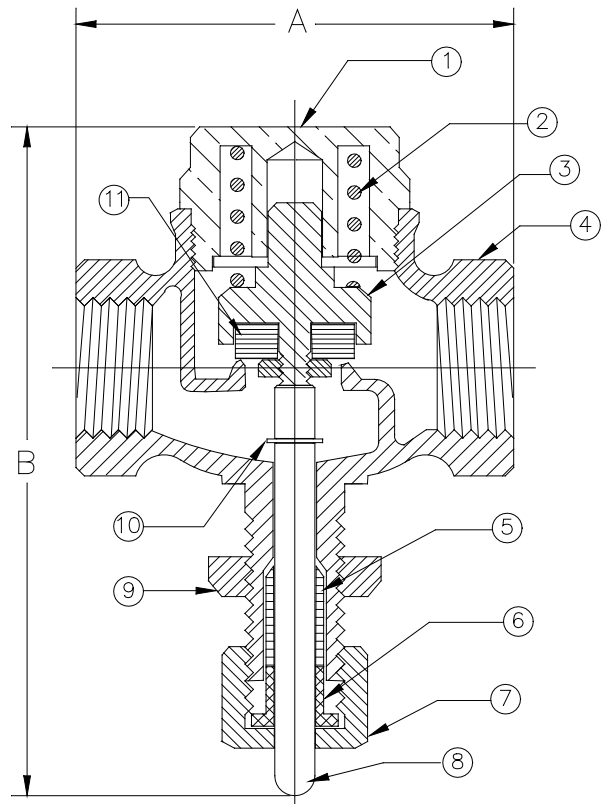
Threaded Ends

PTFE Disc • Integral Seat

Contains Lead. Not Intended for Use in Potable Water Systems

MATERIAL LIST

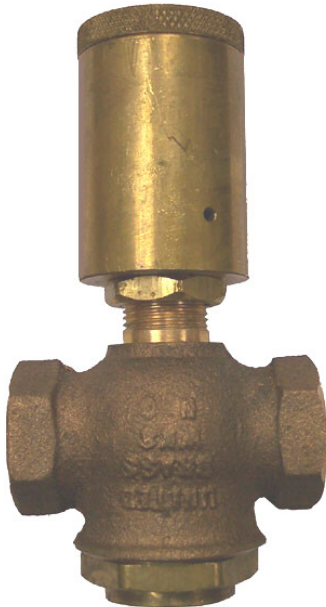
NO.	DESCRIPTION	MATERIAL
1	Cap	Brass
2	Spring	Stainless Steel
3	Disc Holder	Brass
4	Body	Bronze
5	Packing	NAFG
6	Gland	Brass
7	Packing Nut	Brass
8	Stem	Stainless Steel
9	Lock Nut	Brass
10	Retaining Ring	Steel
11	Disc	PTFE



	A	B	Qty. Per Ctn.
25WACT 1/4"	2.34	3.22	10
25WACT 3/8"	2.34	3.22	6
25WACT 1/2"	2.69	4.00	5
25WACT 3/4"	3.00	4.50	6
25WACT 1"	3.75	5.25	4



UNITED BRASS WORKS, INC.
 714 S. Main St. Randleman, N.C. 27317
 Tel: 800-334-3035 Fax: 800-498-4696 www.ubw.com



**Model VC25WT
 Pneumatic Whistle Valve**

**125WSP @ 350° Max
 200 WOG**

**100% Pressure Tested
 Threaded Ends**

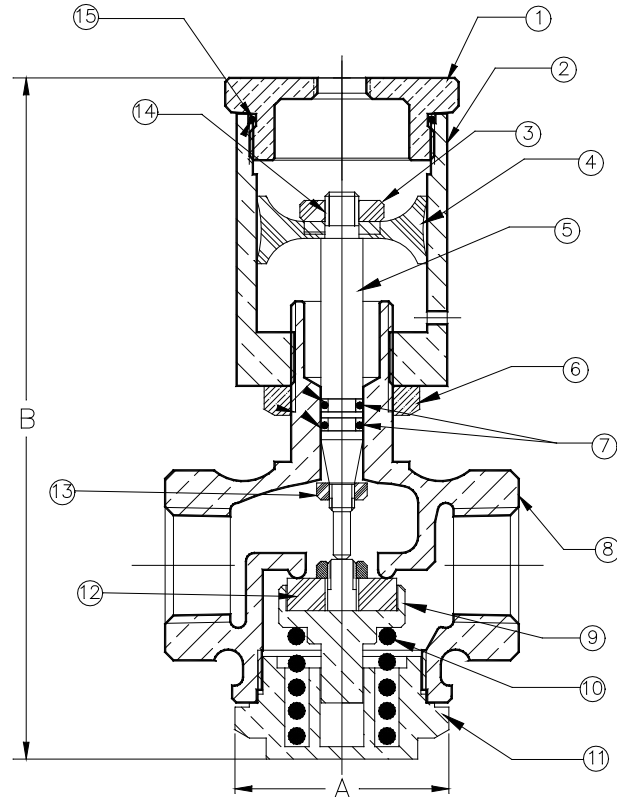
PTFE Disc • Integral Seat

***Contains Lead. Not Intended for Use in Potable
 Water Systems***

*** Minimum Air Pressure Requirement - 80PSI.**

MATERIAL LIST

NO.	DESCRIPTION	MATERIAL
1	Cap	Brass
2	Cylinder	Brass
3	Nut	Brass
4	Piston Cup	Silicon
5	Stem	Stainless Steel
6	Lock Nut	Brass
7	O-Ring	008 TFE/P
8	Body	Bronze
9	Disc Holder	Brass
10	Spring	Stainless Steel
11	Cap	Brass
12	Disc	PTFE
13	Nut	Steel
14	Nut	Steel
15	O-Ring	BUNA



	A	B	Qty. Per Ctn.
VC25WT 1/2"	2.69	4.00	5



UNITED BRASS WORKS, INC.
 714 S. Main St. Randleman, N.C. 27317
 Tel: 800-334-3035 Fax: 800-498-4696 www.ubw.com



Model 79 Needle Valve

CRN OCO7135.2C

200WSP @ 406° Max

400 WOG

100% Pressure Tested

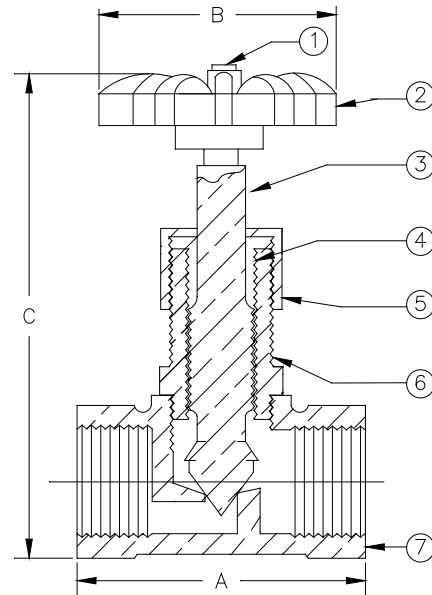
Threaded Ends

Rising Stem

Contains Lead. Not Intended for Use in Potable Water Systems

MATERIAL LIST

NO.	DESCRIPTION	MATERIAL
1	Hex Head Screw	Steel
2	Hand Wheel	Ductile Iron
3	Stem	Brass
4	Packing	NAFG
5	Packing Nut	Brass
6	Bonnet	Brass
7	Body	Bronze



	1/8"	1/4"	3/8"	1/2"	3/4"
A	1.25	1.50	1.81	2.06	2.31
B	1.75	1.75	2.13	2.13	2.13
C Closed	2.25	2.25	2.63	2.88	3.75
C Open	2.38	2.38	2.75	3.13	4.00
Ship Wgt. (lbs.)	0.20	0.25	0.38	0.72	1.12
Qty. Per Ctn.	12	12	12	12	6



UNITED BRASS WORKS, INC.

714 S. Main St. Randleman, N.C. 27317

Tel: 800-334-3035 Fax: 800-498-4696 www.ubw.com



Model 77 Needle Valve

CRN OCO7135.2C

200WSP @ 406° Max

400 WOG

100% Pressure Tested

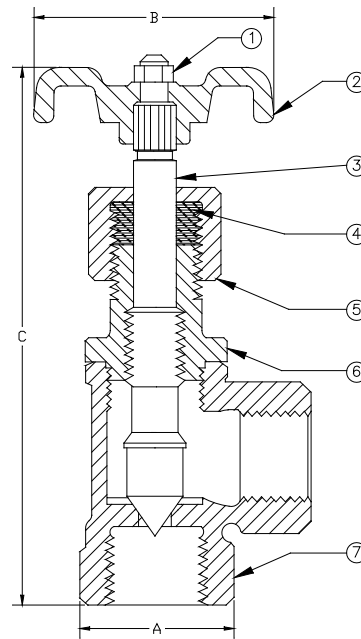
Threaded Ends

Rising Stem

Contains Lead. Not Intended for Use in Potable Water Systems

MATERIAL LIST

NO.	DESCRIPTION	MATERIAL
1	Jam Nut	Steel
2	Hand Wheel	Ductile Iron
3	Stem	Brass
4	Packing	NAFG
5	Packing Nut	Brass
6	Bonnet	Brass
7	Body	Bronze



Size	1/8"	1/4"	3/8"	1/2"	3/4"
	0.63	1.19	.088	1.06	1.25
B	1.75	1.75	2.13	2.13	2.13
C Closed	2.25	2.25	2.63	2.88	3.75
C Open	2.38	2.75	2.75	3.13	4.00
Ship Wgt. (lbs.)	0.20	0.25	0.38	0.72	1.12
Qty. Per Ctn.	12	12	12	12	6



UNITED BRASS WORKS, INC.
 714 S. Main St. Randleman, N.C. 27317
 Tel: 800-334-3035 Fax: 800-498-4696 www.ubw.com



**Model 198
 Air Line Strainer**

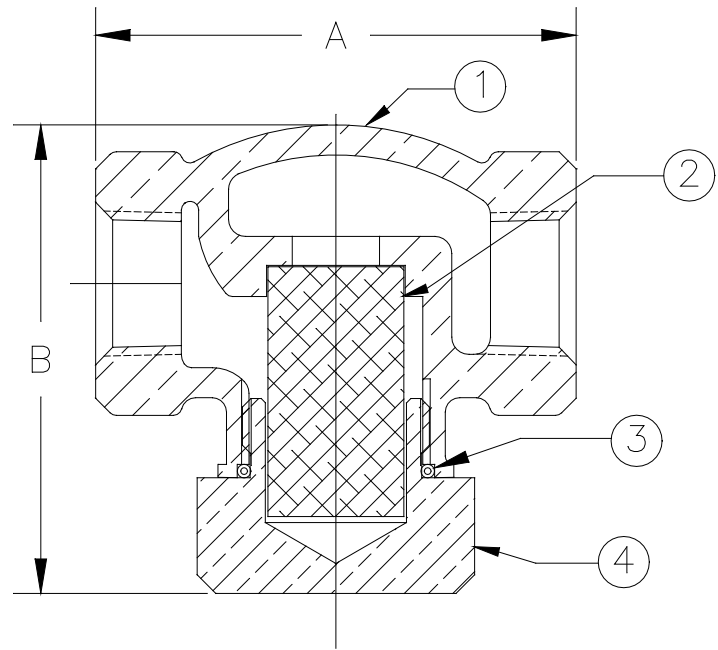
**200 WOG @ 180 ° Max
 100% Pressure Tested
 Threaded Ends
 Stainless Steel Screen**

***Contains Lead. Not Intended for Use in
 Potable Water Systems***

Available with 30, 50 and 60 mesh screens.

MATERIAL LIST

NO.	DESCRIPTION	MATERIAL
1	Body	Bronze
2	Screw	Stainless Steel
3	O-Ring	Buna
4	Cap	Brass



Size	1/4"
A	1.75
B	1.12
Ship Wgt. (lbs.)	0.31
Qty. Per Ctn.	12



UNITED BRASS WORKS, INC.

714 S. Main St., Randleman, NC 27317

Tel: 800-334-3035 Fax: 800-498-4696 www.ubw.com



Model 200 Strainer With Steel Plug

200WSP @ 406° Max
400 WOG

100% Pressure Tested
Threaded Ends

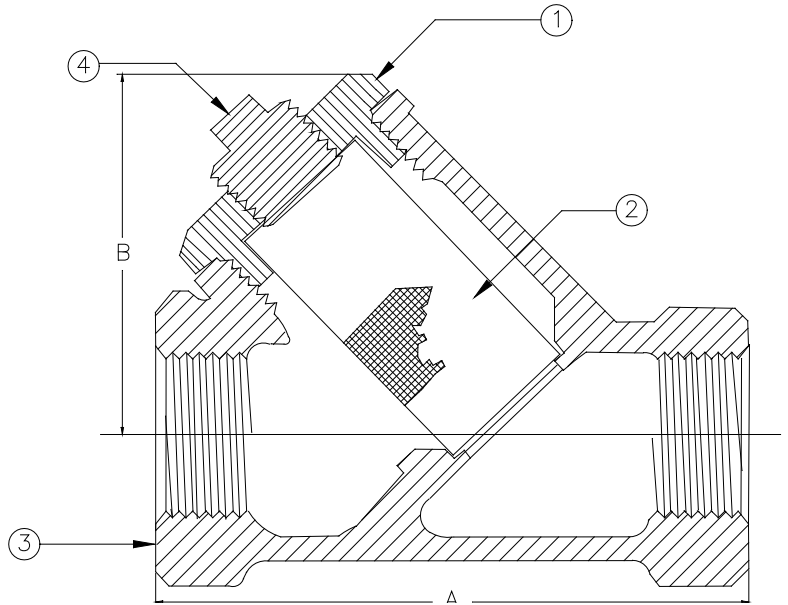
All Available in 24, 50 or 100 Mesh screen sizes.

Contains Lead. Not Intended for Use in Potable Water Systems

CRN OCO7135.2C

MATERIAL LIST

NO.	DESCRIPTION	MATERIAL
1	Cap (1/4" - 1") Cap (1 1/4" - 2")	Brass ASTM B16 Bronze ASTM B62
2	Screen	Stainless Steel ASTM E437
3	Body	Bronze ASTM B62
4	Plug	Stainless Steel ASTM A108



Size	1/4"	3/8"	1/2"	3/4"	1"	1 1/4"	1 1/2"	2"
A	2.73	2.72	2.84	3.41	3.94	5.41	6.81	8.19
B	1.87	1.87	1.81	2.09	2.86	4.13	4.31	5.00
Ship Wgt. (lbs)	0.75	0.78	0.81	1.36	2.39	2.39	5.78	10.13
Qty. Per Ctn.	12	12	12	12	6	6	4	2



UNITED BRASS WORKS, INC.
 714 S. Main St. Randleman, N.C. 27317
 Tel: 800-334-3035 Fax: 800-498-4696 www.ubw.com



**Model 200BV Strainer
 With Ball Valve**

**200WSP @ 406° Max
 400 WOG**

**100% Pressure Tested
 Threaded Ends**

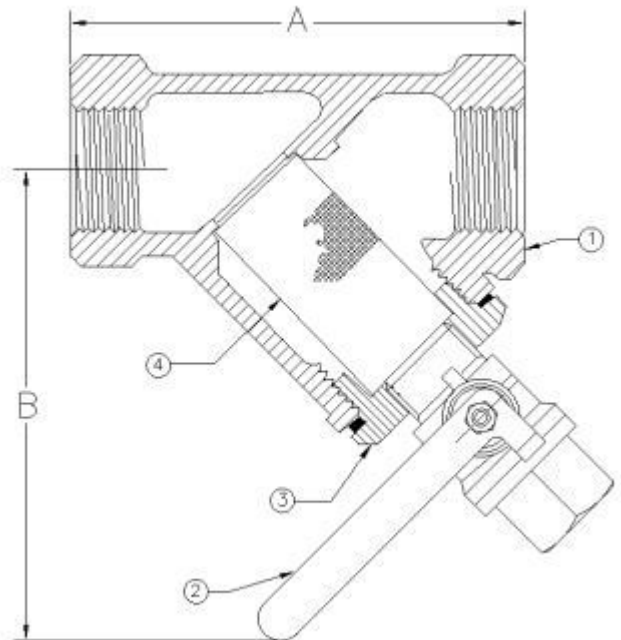
***Contains Lead. Not Intended for Use in Potable
 Water Systems***

All Available in 24, 50 or 100 Mesh screen sizes.

CRN OC07135.2C

MATERIAL LIST

NO.	DESCRIPTION	MATERIAL
1	Body	ASTM B62
2	Ball Valve	See Spec 80MXF
3	Cap (1/4" - 1") Cap (1 1/4" - 2")	Brass ASTM B16 Bronze ASTM B62
4	Screen	Stainless Steel



Size	1/4"	3/8"	1/2"	3/4"	1"	1 1/4"	1 1/2"	2"
A	2.73	2.72	2.84	3.41	3.94	5.41	6.81	8.19
B	4.65	4.80	4.80	5.00	5.30	7.60	7.20	7.50
Ship Wgt. (lbs)	1.13	1.18	1.33	1.82	3.37	5.43	6.69	10.88
Qty. Per Ctn.	6	6	6	6	2	2	2	2



UNITED BRASS WORKS, INC.

714 S. Main St., Randleman, NC 27317

Tel: 800-334-3035 Fax: 800-498-4696 www.ubw.com



Model 200WBP Strainer

With Brass Plug

200WSP @ 406° Max

400 WOG

100% Pressure Tested

Threaded Ends

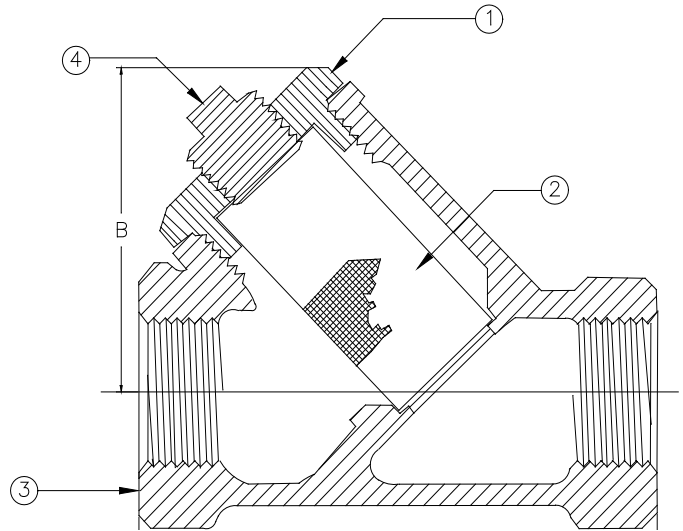
All Available in 24, 50 or 100 Mesh screen sizes.

Contains Lead. Not Intended for Use in Potable Water Systems

CRN OCO7135.2C

MATERIAL LIST

NO.	DESCRIPTION	MATERIAL
1	Cap (1/4" - 1") Cap (1 1/4" - 2")	Brass Bronze
2	Screen	Stainless Steel
3	Body	Bronze
4	Plug	Brass



Size	1/4"	3/8"	1/2"	3/4"	1"	1 1/4"	1 1/2"	2"
A	2.73	2.72	2.84	3.41	3.94	5.41	6.81	8.19
B	1.87	1.87	1.81	2.09	2.86	4.13	4.31	5.00
Ship Wgt. (lbs)	0.75	0.78	0.81	1.36	2.39	2.39	5.78	10.13
Qty. Per Ctn.	12	12	12	12	6	6	4	2



UNITED BRASS WORKS, INC.

714 S. Main St., Randleman, NC 27317

Tel: 800-334-3035 Fax: 800-498-4696 www.ubw.com



Model 200WSC Strainer

With Solid Cap

200 WSP @ 406° Max

400 WOG

100% Pressure Tested

Threaded Ends

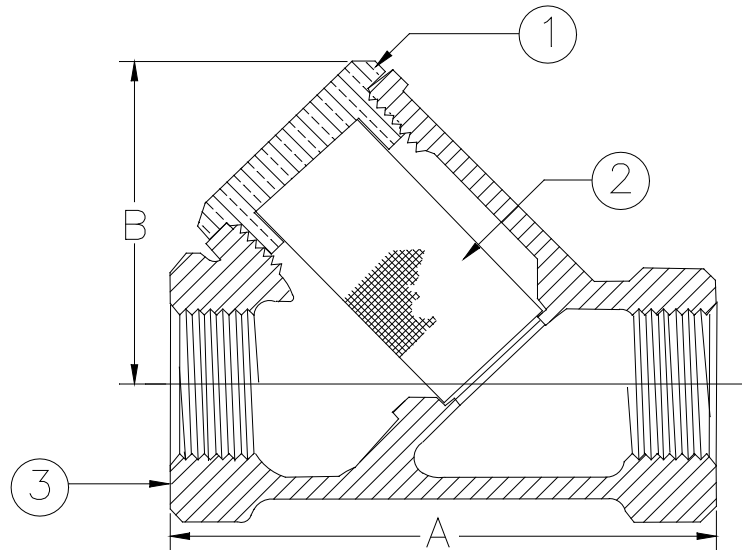
All Available in 24, 50 or 100 Mesh screen sizes.

Contains Lead. Not Intended for Use In Potable Water Systems

CRN OCO7135.2C

MATERIAL LIST

NO.	DESCRIPTION	MATERIAL
1	Cap (1/4" - 1") Cap (1 1/4" - 2")	Brass Bronze
2	Screen	Stainless Steel
3	Body	Bronze



Size	1/4"	3/8"	1/2"	3/4"	1"	1 1/4"	1 1/2"	2"
A	2.73	2.72	2.84	3.41	3.94	5.41	6.81	8.19
B	1.87	1.87	1.81	2.09	2.86	4.13	4.31	5.00
Ship Wgt. (lbs)	0.75	0.78	0.81	1.36	2.39	2.39	5.78	10.13
Qty. Per Ctn.	12	12	12	12	6	6	4	2



UNITED BRASS WORKS, INC.

714 S. Main St. Randleman, N.C. 27317

Tel: 800-334-3035 Fax: 800-498-4696 www.ubw.com



Model 15 Gate Valve (Conforms to MSS-SP-80-2013)

125 WSP @ 350 ° Max

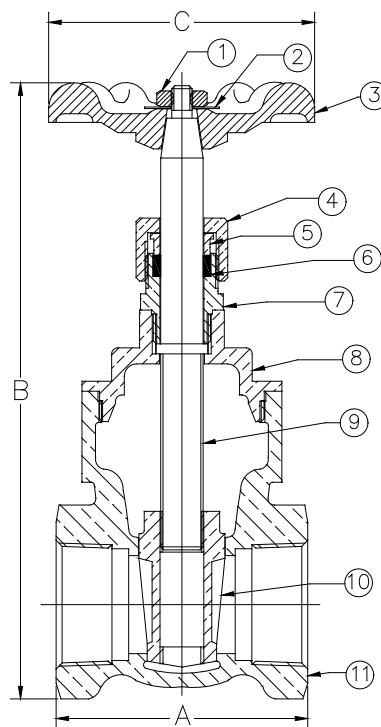
200 WOG * 100% Pressure Tested

Threaded Ends * Non-Rising Stem

Contains Lead. Not Intended for Use in Potable Water Systems

MATERIAL LIST

NO.	DESCRIPTION	MATERIAL
1	Nut	Steel
2	Marker Disc	Aluminum
3	Hand Wheel	Ductile Iron
4	Packing Nut	Brass
5	Packing Gland	Brass
6	Packing	NAFG
7	Upper Bonnet	Bronze
8	Lower Bonnet	Bronze
9	Stem	Brass
10	Wedge	Brass
11	Body	Bronze



Size	3/8"	1/2"	3/4"	1"	1 1/4"	1 1/2"	2"	2 1/2"
A	1.80	1.80	2.00	2.65	2.65	2.88	3.25	4.13
B	3.30	3.85	4.15	4.90	5.50	6.00	7.13	4.50
C	1.90	2.00	2.40	2.70	2.85	3.25	3.75	8.50
Ship Wgt. (lbs.)	0.70	0.80	0.90	1.50	2.10	2.80	4.30	9.20
Qty. Per Ctn.	12	12	6	6	4	2	2	2



UNITED BRASS WORKS, INC.

714 S. Main St. Randleman, N.C. 27317

Tel: 800-334-3035 Fax: 800-498-4696 www.ubw.com



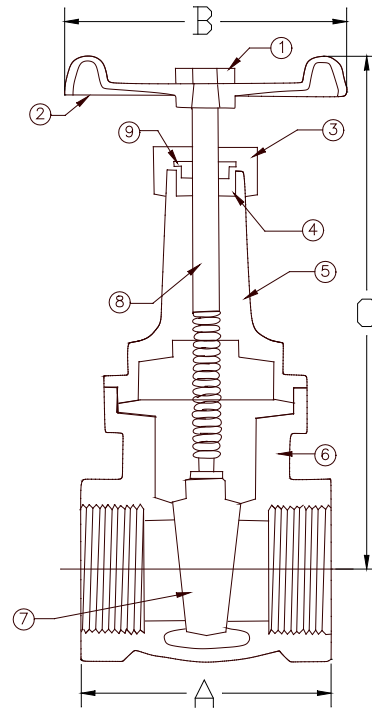
Model 17 Gate Valve Conforms to MSS-SP80-2013

**150WSP @ 350°F Max
300 WOG**

**Solid Wedge * Screwed Bonnet * Rising Stem
*Contains Lead. Not Intended for Use in
Potable Water Systems***

MATERIAL LIST

NO.	DESCRIPTION	MATERIAL
1	Nut	Steel
2	Hand Wheel	Ductile Iron
3	Packing Nut	Brass
4	Packing	PTFE
5	Bonnet	Bronze
6	Body	Bronze
7	Gate	Bronze
8	Stem	Brass
9	Packing Gland	Brass



Size	1/2"	3/4"	1"	1 1/4"	1 1/2"	2"
A	1.95	2.20	2.56	3.13	3.38	3.88
B	2.10	2.40	2.70	3.00	3.56	4.13
C (Open)	4.95	6.15	7.95	8.75	10.25	12.50
C (Closed)	4.28	5.16	6.20	6.25	7.00	8.63
Ship Wgt. (lbs.)	1.10	1.50	2.70	3.40	4.80	7.20
Qty. Per Ctn.	12	6	6	4	2	2



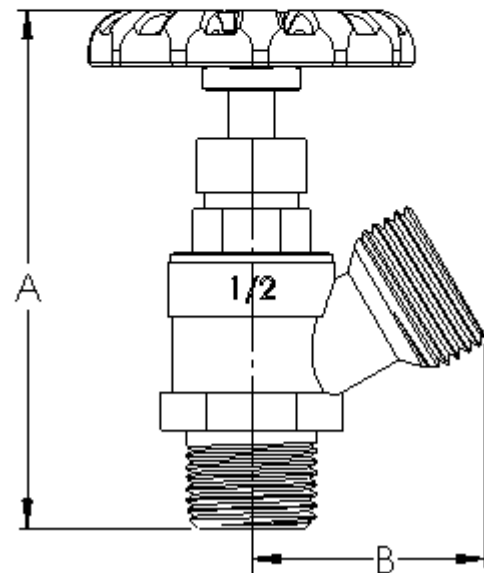
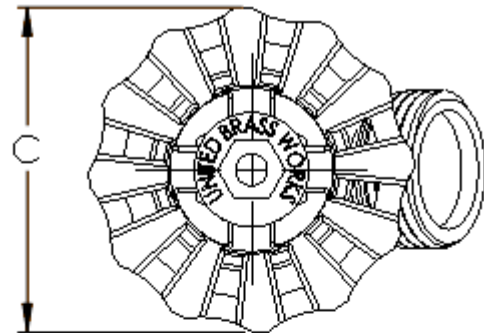
UNITED BRASS WORKS, INC.
 714 S. Main St. Randleman, N.C. 27317
 Tel: 800-334-3035 Fax: 800-498-4696 www.ubw.com



Model 19 Boiler Drain Valve (Imported)

125 CWP @ 180° F Max.
All Brass Construction with Buna
Disc

***Contains Lead. Not Intended for**
Use in Potable Water Systems*



Size	1/2"	3/4"
A	3.40	3.40
B	1.50	1.50
C	2.10	2.10
Wgt. (lbs.)	.44	.53



UNITED BRASS WORKS, INC.
714 S. Main St. Randleman, N.C. 27317
Tel: 800-334-3035 Fax: 800-498-4696 www.ubw.com



***Model 906C Duran® High Pressure
Tubular Gage Glass***

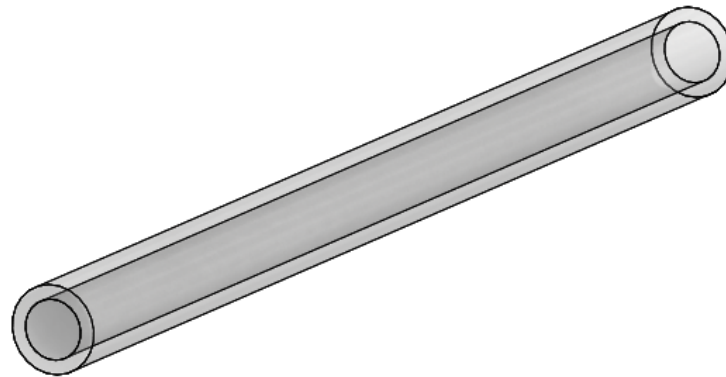
Max Pressure 295 PSI @ 425°

Ends are Fire Polished

Sold by the Dozen Only

Available Lengths

**8", 8 1/2", 9", 9 1/4", 9 1/2", 10", 10 1/4",
10 1/2", 11", 11 1/2", 12", 14"**





UNITED BRASS WORKS, INC.
 714 S. Main St. Randleman, N.C. 27317
 Tel: 800-334-3035 Fax: 800-498-4696 www.ubw.com



Model 3050 1/2" Float Valve

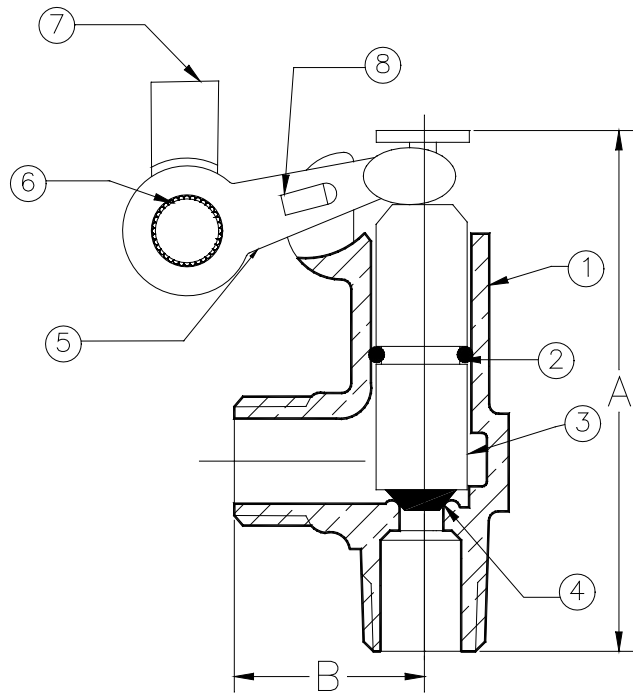
**Max Inlet Water Pressure 50PSI
 Max Operating Temperature 300° F
 Bronze Body
 Brass Piston
 EPDM Disc & O-Ring
 *Contains Lead. Not Intend for Use in
 Potable Water Systems***

**Available Without Piston Ring as
 Part 3050FU**



MATERIAL LIST

NO.	DESCRIPTION	MATERIAL
1	Body	Bronze
2	O-Ring	EPDM
3	Plunger	Brass
4	Disc	EPDM
5	Long Arm	Brass
6	Thumb Screw	Brass
7	Short Arm	Brass
8	Cotter Pin	Brass



Size	1/2"
A	3.40
B	1.40
Ship Wt. (lbs.)	0.69
Qty. Per Carton	12



UNITED BRASS WORKS, INC.
 714 S. Main St. Randleman, N.C. 27317
 Tel: 800-334-3035 Fax: 800-498-4696 www.ubw.com



Model 3060 3/4" Float Valve

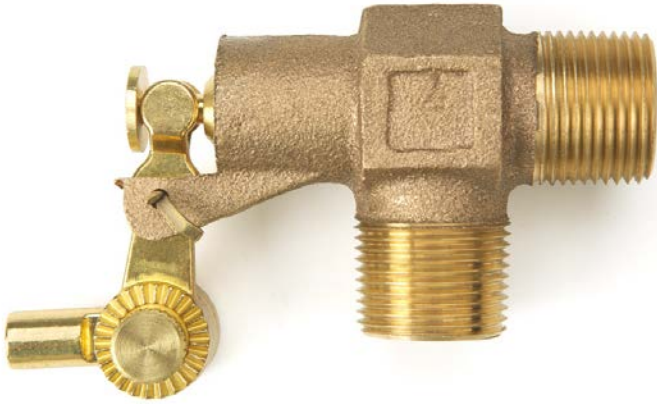
**Max Inlet Water Pressure 50PSI
 Max Operating Temperature 300° F**

Bronze Body

Brass Piston

EPDM Disc & O-Ring

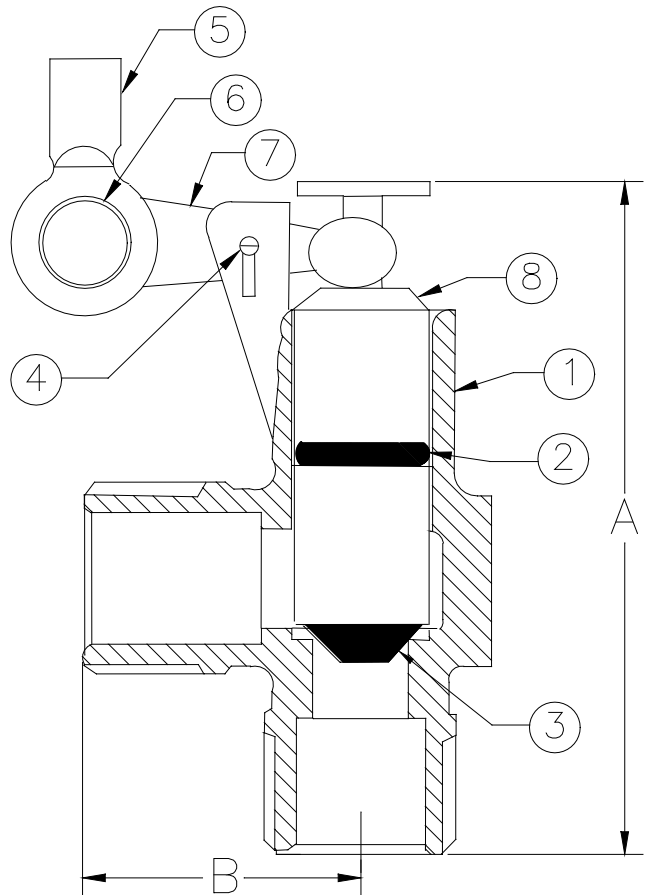
***Contains Lead. Not Intended for Use in Potable Water Systems.**



**Available Without Piston O-Ring
 As Part 3060FU**

MATERIAL LIST

NO.	DESCRIPTION	MATERIAL
1	Body	Bronze
2	O-Ring	EPDM
3	Disc	EPDM
4	Cotter Pin	Brass
5	Short Arm	Brass
6	Thumb Screw	Brass
7	Long Arm	Brass
8	Piston	Brass



Size	3/4"
A	3.68
B	1.60
Ship Wt. (lbs.)	0.94
Qty. Per Carton	12



UNITED BRASS WORKS, INC.
714 S. Main St. Randleman, N.C. 27317
Tel: 800-334-3035 Fax: 800-498-4696 www.ubw.com



Model RS45 Float Ball

**4" X 5" Oblong Ball with
1/4" Connection
Spun Copper Construction**

Weight – 0.45 lbs.





UNITED BRASS WORKS, INC.
714 S. Main St. Randleman, N.C. 27317
Tel: 800-334-3035 Fax: 800-498-4696 www.ubw.com



Model RS50 Float Ball

**5" Round Ball with
1/4" Connection
Spun Copper Construction**

Weight – 0.44 lbs.





UNITED BRASS WORKS, INC.
714 S. Main St. Randleman, N.C. 27317
Tel: 800-334-3035 Fax: 800-498-4696 www.ubw.com



Model 3059 Float Ball Rod

1/4" Connection by 10" in Length

**Includes 2 pcs. 1/4" Brass Nuts for
Attaching Rod to Ball**





UNITED BRASS WORKS, INC.
 714 S. Main St. Randleman, N.C. 27317
 Tel: 800-334-3035 Fax: 800-498-4696 www.ubw.com



Model 966P 1/2" Short Shank Tricock

**200 WSP @ 406° Max
 400WOG**

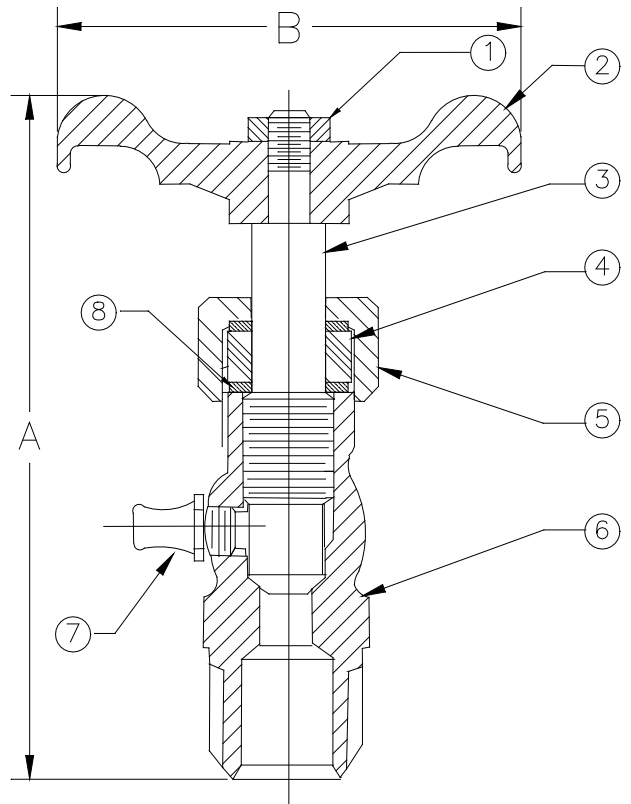
**Ductile Iron Hand Wheel
 Brass Body**

***Contains Lead. Not Intended for Use in Potable
 Water Systems***

**Available with Plastic Hand Wheel as Part No.
 966PPW**

MATERIAL LIST

NO.	DESCRIPTION	MATERIAL
1	Screw	Steel
2	Hand Wheel	Ductile Iron
3	Stem	Brass
4	Packing	NAFG
5	Packing Nut	Brass
6	Body	Brass
7	Nozzle	Brass
8	Washer	Brass



Size	1/2"
A	3.70
B	2.10
Ship Wt. (lbs.)	0.34
Qty. Per Carton	12



UNITED BRASS WORKS, INC.
 714 S. Main St. Randleman, N.C. 27317
 Tel: 800-334-3035 Fax: 800-498-4696 www.ubw.com



Model 966L 1/2" Long Shank Tricock

**250 WSP @ 406°F Max
 400WOG**

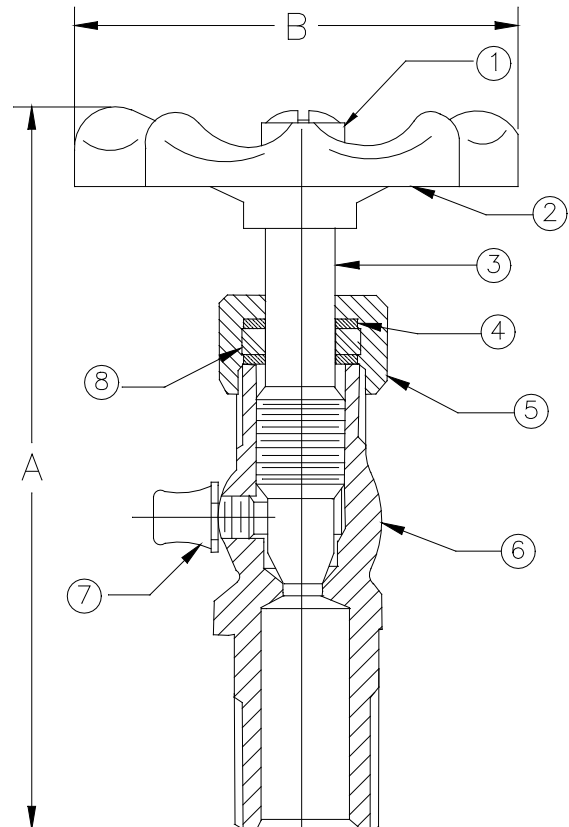
**Ductile Iron Hand Wheel
 Brass Body**

***Contains Lead. Not Intended for Use in Potable
 Water Systems***

**Available with Plastic Hand Wheel as Part No.
 966LPW**

MATERIAL LIST

NO.	DESCRIPTION	MATERIAL
1	Screw	Steel
2	Hand Wheel	Ductile Iron
3	Stem	Brass
4	Washer	Brass
5	Packing Nut	Brass
6	Body	Brass
7	Nozzle	Brass
8	Packing	NAFG



Size	1/2"
A	3.70
B	2.10
Ship Wt. (lbs.)	0.34
Qty. Per Carton	12



UNITED BRASS WORKS, INC.
 714 S. Main St. Randleman, N.C. 27317
 Tel: 800-334-3035 Fax: 800-498-4696 www.ubw.com



Model 901 ASME Safety Valve

Maximum Temperature 405°F Max
ASME Tested
National Board Certified
Body Material: Brass
Trim: Bronze
Male Inlet X Female Outlet

Side Outlet Safety Valve Capacity (lbs. per hours)					
	¾"	1"	1¼"	1½"	2"
100 lbs.	1,150	1,796	2,947	4,600	7,549
125 lbs.	1,402	2,189	3,592	5,607	9,200
150 lbs.	1,653	2,581	4,236	6,613	10,851
Outlet Size (Female)	1"	1¼"	1 ½"	2"	1½"
Ship Wgt. (lbs.)	2.75	4.25	7.50	10.00	16.75



UNITED BRASS WORKS, INC.
 714 S. Main St. Randleman, N.C. 27317
 Tel: 800-334-3035 Fax: 800-498-4696 www.ubw.com

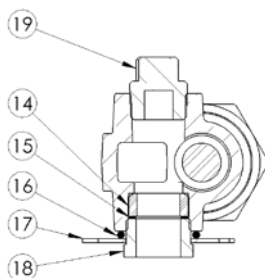
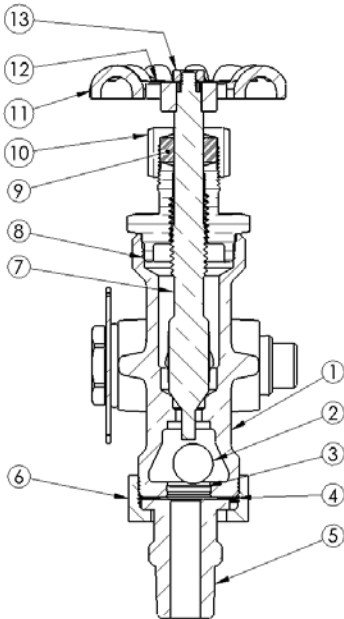


Model 902 1/2" High Pressure Upper Gauge Fixture Valve With Ball Checks

250WSP @ 406° F

**ASME Compliant per B31.1 and
 Section One, PG 60 Appendix A18
 of ASME Boiler Code**

*** Contains Lead. Not Intended for Use
 in Potable Water Systems ***



MATERIAL LIST		
No.	Description	Material
1	Body	CDA 836
2	SS Ball	302 SS
3	Retaining Ring	300 Series SS
4	Union Gasket	Klinger C4430
5	Union Tail Piece	CDA 360
6	Union Nut	CDA 922
7	Stem	CDA 693
8	Bonnet	CDA 360
9	Packing	33NAGF
10	Packing Nut	CDA 360
11	Hand Wheel	Zinc
12	Marker Disc	Aluminum
13	Brass nut	Brass
14	Seal Washer	FKM
15	Washer	Steel (Plated)
16	O-Ring	Buna
17	Rod Bracket	Stainless Steel
18	Glass Nut	CDA 360
19	Pipe Plug	CDA 360

Unit Weight 2.9 lbs.



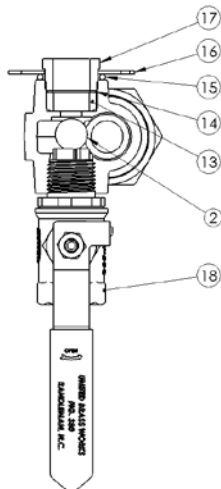
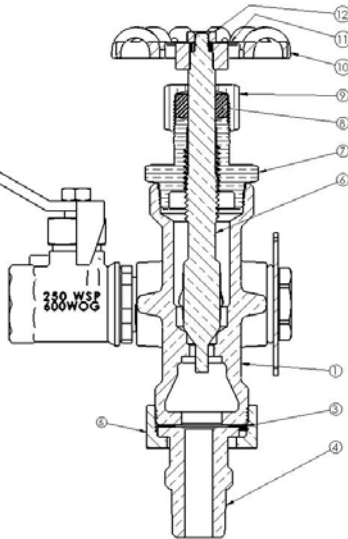
UNITED BRASS WORKS, INC.
 714 S. Main St. Randleman, N.C. 27317
 Tel: 800-334-3035 Fax: 800-498-4696 www.ubw.com



Model 903 1/2" High Pressure Lower Gauge Fixture Valve With Ball Checks

250WSP @ 406° F
**ASME Compliant per B31.1 and
 Section one, PG 60 Appendix A18
 Of ASME Boiler Code**

**Contains Lead. Not Intended for Use
 In Potable Water Systems**



MATERIAL LIST		
No.	Description	Material
1	Body	CDA 836
2	S.S. Ball	302 S.S.
3	Union Gasket	Klinger C4430
4	Union Tail Piece	CDA 360
5	Union Nut	CDA 922
6	Stem	CDA 693
7	Bonnet	CDA 360
8	Packing	33 NAFG
9	Packing Nut	CDA 360
10	Hand Wheel	Zinc
11	Marker Disc	Aluminum
12	Brass Nut	Brass
13	Seal Washer	FKM
14	Washer	Steel (Plated)
15	O-Ring	EP 70 Durometer
16	Rod Bracket	300 Series S.S.
17	Glass Nut	CDA 360
18	Model 380MXFSP 1/2"	See Valve Spec

Unit Weight 2.8 lbs.



UNITED BRASS WORKS, INC.

714 S. Main St. Randleman, N.C. 27317

Tel: 800-334-3035 Fax: 800-498-4696 www.ubw.com



Model 905 1/2"

Long Shank Upper Fixture

**250 WSP @ 406°F Max
400WOG**

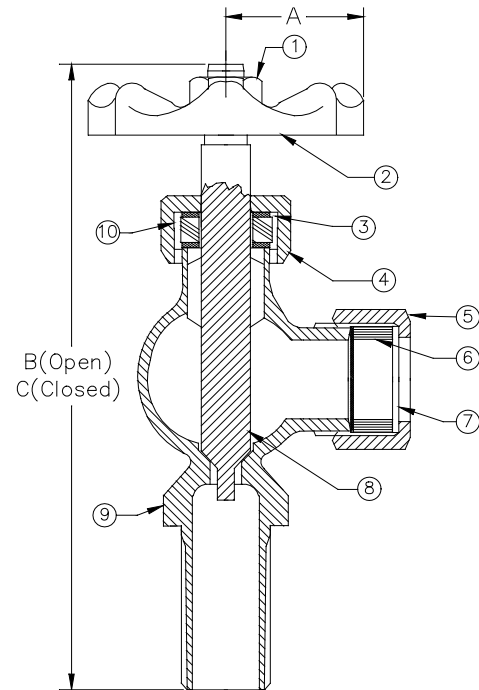
**Rising Stem • Bronze Body
Ductile Iron Hand Wheel**

***Contains Lead. Not Intended for Use in Potable
Water Systems***

CRN OCO7135.2C

MATERIAL LIST

NO.	DESCRIPTION	MATERIAL
1	Screw	Steel
2	Hand Wheel	Ductile Iron
3	Bevel Washer (2)	Brass
4	Packing Nut	Brass
5	Glass Washer Nut	Brass
6	Glass Washer	EPDM
7	Washer	Steel
8	Stem	Brass
9	Body	Bronze
10	Packing	NAFG



Size	1/2"
A	1.25
B	5.15
C	4.97
Ship Wt. (lbs.)	0.75
Qty. Per Carton	12

***Available with Plastic Hand
Wheel as Part 905PW***



UNITED BRASS WORKS, INC
 714 S. Main St.. Randleman, N.C. 27317
 Phone: 800/334-3035 Fax: 800/498-4696 www.ubw.com



Model 905A 1/2" Short Shank Upper Fixture

**250 WSP @ 406°F Max
400WOG**

**Rising Stem • Bronze Body
Ductile Iron Hand Wheel**

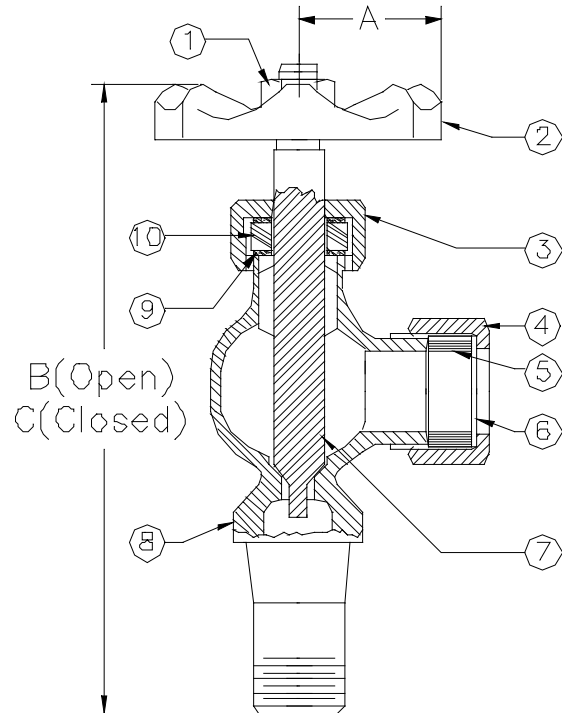
***Contains lead. Not For Use In Water Systems
Intended for Human Consumption***

MATERIAL LIST

NO.	DESCRIPTION	MATERIAL
1	Screw	Steel
2	Hand Wheel	Ductile Iron
3	Packing Nut	Brass
4	Glass Washer Nut	Brass
5	Glass Washer	EPDM
6	Washer	Steel
7	Stem	Brass
8	Body	Bronze
9	Bevel Washer (2)	Brass
10	Packing	NAFG

Size	1/2"
A	1.25
B	5.20
C	5.02
Ship Wt. (lbs.)	0.63
Qty. Per Carton	12

CRN OCO7135.2C



***Available With Plastic
Hand Wheel as Part
905APW***



UNITED BRASS WORKS, INC.

714 S. Main St. Randleman, N.C. 27317

Tel: 800-334-3035 Fax: 800-498-4696 www.ubw.com



Model 905AS 1/2" Short Shank Upper Fixture

With Ball Check

250 WSP @ 406°F Max

400WOG

Rising Stem • Bronze Body

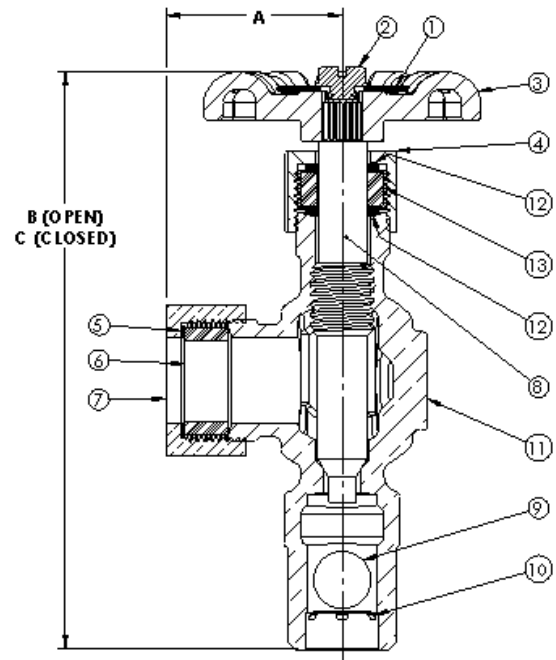
Ductile Iron Hand Wheel

Contains Lead. Not Intended for Use in Potable Water Systems

CRN OCO7135.2C

MATERIAL LIST

NO.	DESCRIPTION	MATERIAL
1	Marker Disc	Steel
2	Hex Screw	Steel
3	Hand Wheel	Ductile Iron
4	Packing Nut	Brass
5	Metal Washer	Steel
6	Glass Washer	EPDM
7	Glass Washer Nut	Brass
8	Stem	Brass
9	Ball	Brass
10	Retaining Ring	Stainless
11	Body	Bronze
12	Bevel Washer (2)	Steel
13	Packing	NAFG



Size	1/2"
A	1.25
B	5.20
C	5.02
Ship Wt. (lbs.)	0.63
Qty. Per Carton	12

Available With Plastic Hand Wheel as Part 905ASPW



UNITED BRASS WORKS, INC.

714 S. Main St. Randleman, N.C. 27317

Tel: 800-334-3035 Fax: 800-498-4696 www.ubw.com



Model 905S 1/2"

Long Shank Upper Fixture With Ball Check

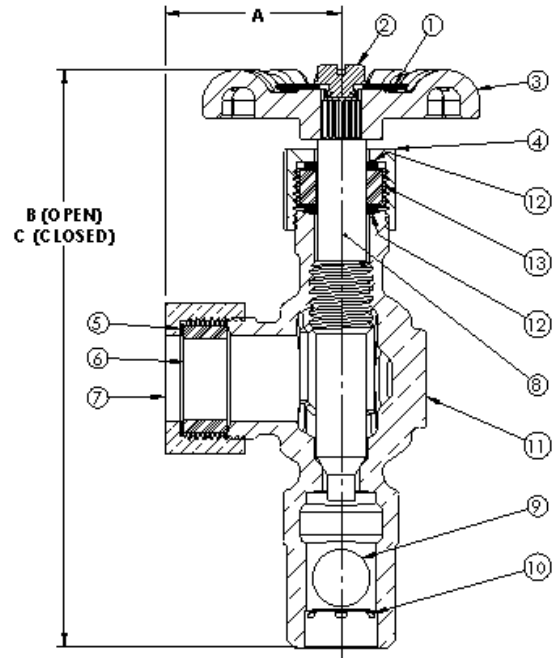
**250 WSP @ 406°F Max
400WOG**

**Rising Stem • Bronze Body
Ductile Iron Hand Wheel**

***Contains Lead. Not Intended for Use in Potable
Water Systems*
CRN OCO7135.2C**

MATERIAL LIST

NO.	DESCRIPTION	MATERIAL
1	Marker Disc	Steel
2	Hex Screw	Steel
3	Hand Wheel	Ductile Iron
4	Packing Nut	Brass
5	Metal Washer	Steel
6	Glass Washer	EPDM
7	Glass Washer Nut	Brass
8	Stem	Brass
9	Ball	Brass
10	Retaining Ring	Steel
11	Body	Bronze
12	Bevel Washer (2)	Brass
13	Packing	NAFG



***Available with
Plastic Hand Wheel as
Part 905SPW***

Size	1/2"
A	1.25
B	5.15
C	4.97
Ship Wt. (lbs.)	0.75
Qty. Per Carton	12



UNITED BRASS WORKS, INC
 714 S. Main St.. Randleman, N.C. 27317
 Phone: 800/334-3035 Fax: 800/498-4696 www.ubw.com



Model 946 1/2" Long Shank Lower Fixture

**250 WSP @ 406°F Max
400WOG**

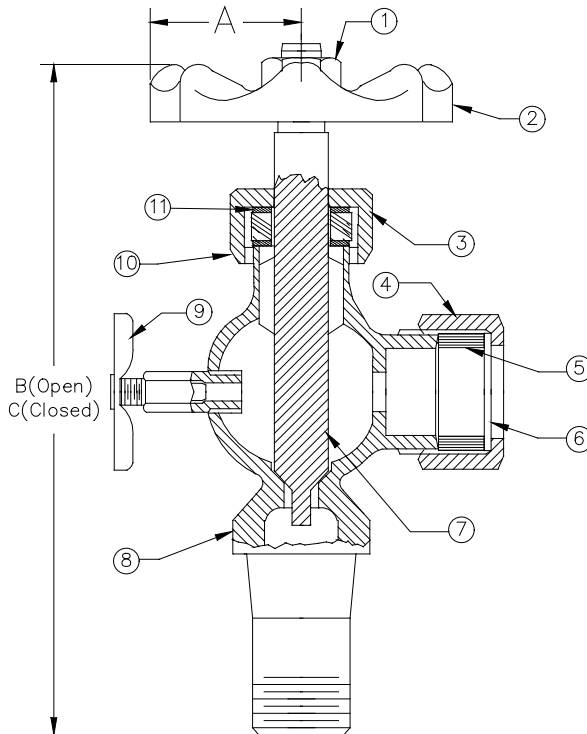
**Rising Stem • Bronze Body
Ductile Iron Hand Wheel**

***Contains lead. Not For Use In Water Systems
Intended for Human Consumption***

CRN OCO7135.2C

MATERIAL LIST

NO.	DESCRIPTION	MATERIAL
1	Screw	Steel
2	Hand Wheel	Ductile Iron
3	Packing Nut	Brass
4	Glass Washer Nut	Brass
5	Glass Washer	EPDM
6	Washer	Steel
7	Stem	Brass
8	Body	Bronze
9	Drain Cock	Brass
10	Packing	NAFG
11	Bevel Washer	Brass



Size	1/2"
A	1.25
B	5.20
C	5.02
Ship Wt. (lbs.)	0.75
Qty. Per Carton	12

***Available With Plastic
Hand Wheel as Part
946PW***



UNITED BRASS WORKS, INC
 714 S. Main St.. Randleman, N.C. 27317
 Phone: 800/334-3035 Fax: 800/498-4696 www.ubw.com



Model 946A 1/2" Short Shank Lower Fixture

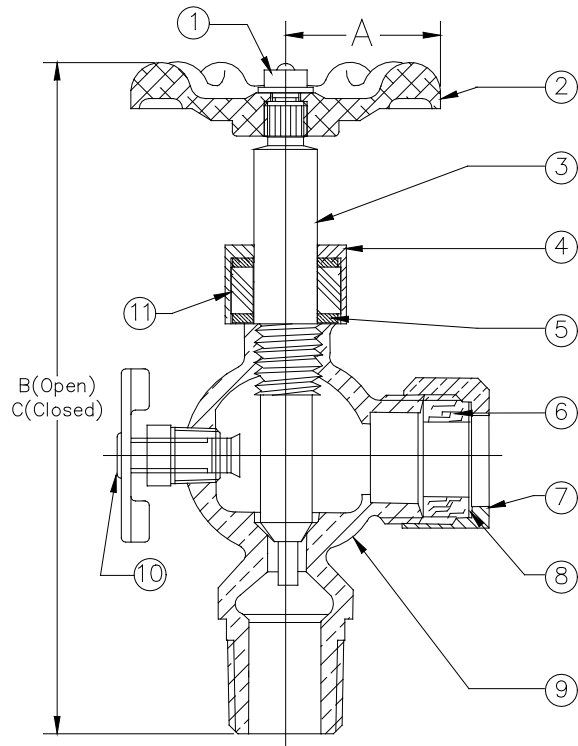
**250 WSP @ 406°F Max
400WOG**

**Rising Stem • Bronze Body
Ductile Iron Hand Wheel**

***Contains lead. Not For Use In Water Systems
Intended for Human Consumption*
CRN OCO7135.2C**

MATERIAL LIST

NO.	DESCRIPTION	MATERIAL
1	Screw	Steel
2	Hand Wheel	Ductile Iron
3	Stem	Brass
4	Packing Nut	Brass
5	Bevel Washer (2)	Brass
6	Glass Washer	EPDM
7	Glass Washer Nut	Brass
8	Washer	Steel
9	Body	Bronze
10	Drain Cock	Brass
11	Packing	NAFG



Size	1/2"
A	1.25
B	5.20
C	5.02
Ship Wt. (lbs.)	0.63
Qty. Per Carton	12

***Available With Plastic Hand
Wheel as Part 946APW***



UNITED BRASS WORKS, INC

714 S. Main St.. Randleman, N.C. 27317

Phone: 800/334-3035 Fax: 800/498-4696 www.ubw.com



Model 946AS 1/2" Short Shank Lower Fixture With Ball Check

**250 WSP @ 406°F Max
400WOG**

**Rising Stem · Bronze Body
Ductile Iron Hand Wheel**

***Contains lead. Not For Use In Water Systems**

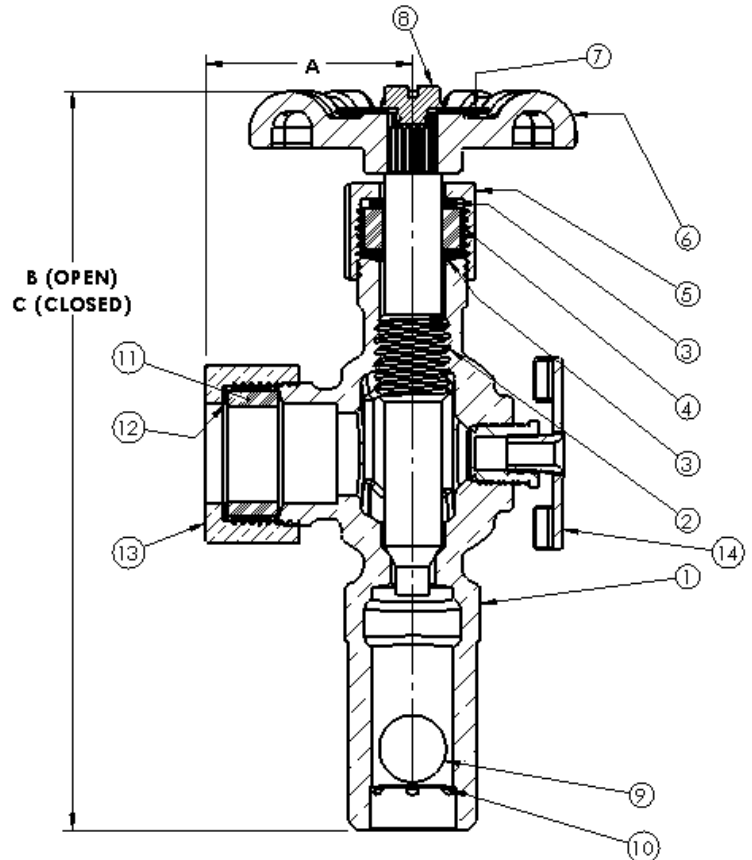
Intended for Human Consumption*

CRN OCO7135.2C

MATERIAL LIST

NO.	DESCRIPTION	MATERIAL
1	Body	Bronze
2	Stem	Brass
3	Bevel Washer (2)	Brass
4	Packing	NAFG
5	Packing Nut	Brass
6	Hand Wheel	Ductile Iron
7	Tag	Steel
8	Hex Nut	Brass
9	Ball	Brass
10	Retaining Clip	Steel
11	Glass Gasket	EPDM
12	Washer	Steel
13	Glass Nut	Brass

Size	1/2"
A	1.25
B	5.20
C	5.02
Ship Wt. (lbs.)	0.63
Qty. Per Carton	12



***Available with Plastic Hand
Wheel as Part 946ASPW***



UNITED BRASS WORKS, INC

714 S. Main St.. Randleman, N.C. 27317

Phone: 800/334-3035 Fax: 800/498-4696 www.ubw.com



Model 946S 1/2" Long Shank Lower Fixture With Ball Check

**250 WSP @ 406°F Max
400WOG**

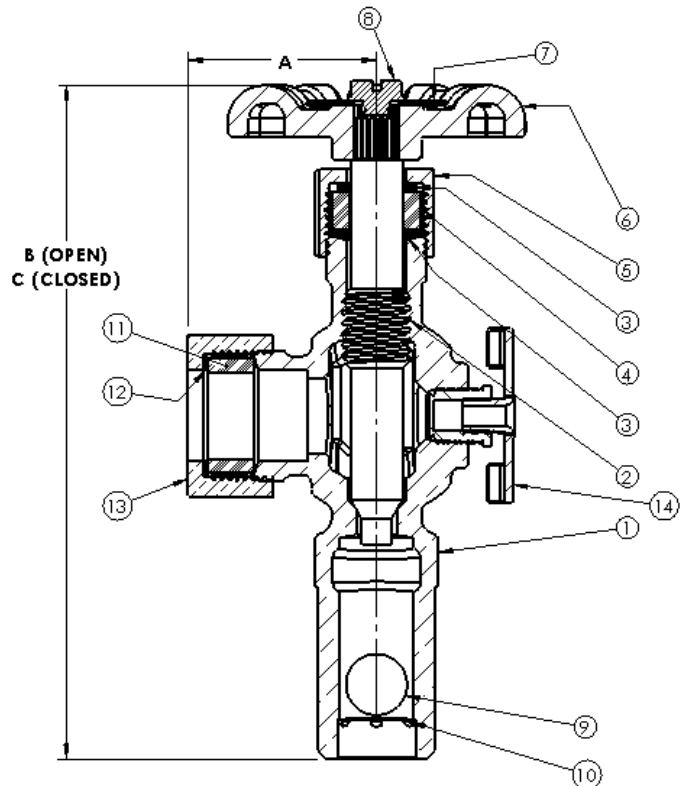
**Rising Stem ~ Bronze Body
Ductile Iron Hand Wheel**

***Contains lead. Not For Use In Water Systems
Intended for Human Consumption***

CRN OCO7135.2C

MATERIAL LIST

NO.	DESCRIPTION	MATERIAL
1	Body	Bronze
2	Stem	Brass
3	Bevel Washer (2)	Brass
4	Packing	NAFG
5	Packing Nut	Brass
6	Hand Wheel	Ductile Iron
7	Tag	Steel
8	Hex Nut	Brass
9	Ball	Brass
10	Retaining Clip	Steel
11	Glass Gasket	EPDM
12	Washer	Steel
13	Glass Nut	Brass



Size	1/2"
A	1.25
B	5.20
C	5.02
Ship Wt. (lbs.)	0.63
Qty. Per Carton	12

***Available With Plastic
Hand Wheel as Part
946SPW***



UNITED BRASS WORKS, INC
 714 S. Main St.. Randleman, N.C. 27317
 Phone: 800/334-3035 Fax: 800/498-4696 www.ubw.com

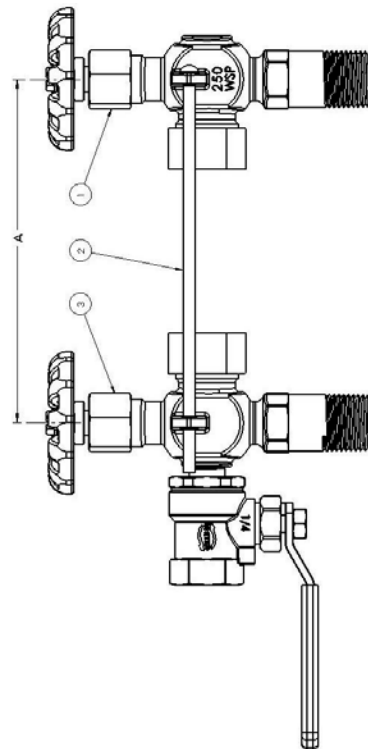


Model 34011 Long Shank Water Gauge Fixture Set W/Ball Valve for Blow Off

250 WSP @ 406°F Max
400WOG
Rising Stem

***Contains lead. Not For Use In Water Systems
 Intended for Human Consumption***

CRN OCO7135.2C



MATERIAL LIST		
NO.	DESCRIPTION	MATERIAL
1	Upper Fixture	See Specs 905
2	Protector Rods 14"	Steel
3	Lower Fixture	See Specs 946XF

**A To determine proper glass length, subtract 1 1/8" from center to center dimensions of the installed valves.*



UNITED BRASS WORKS, INC
 714 S. Main St.. Randleman, N.C. 27317
 Phone: 800/334-3035 Fax: 800/498-4696 www.ubw.com



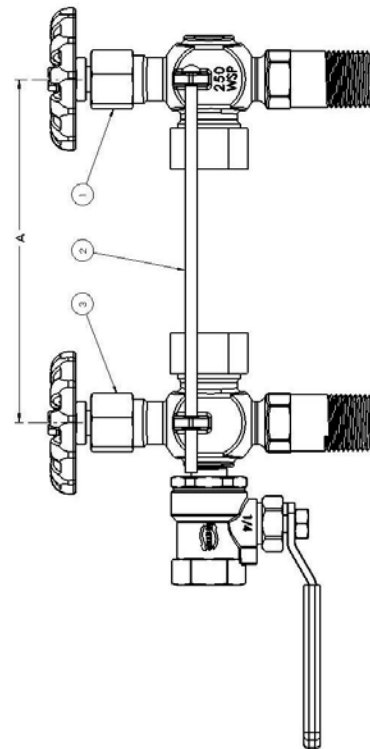
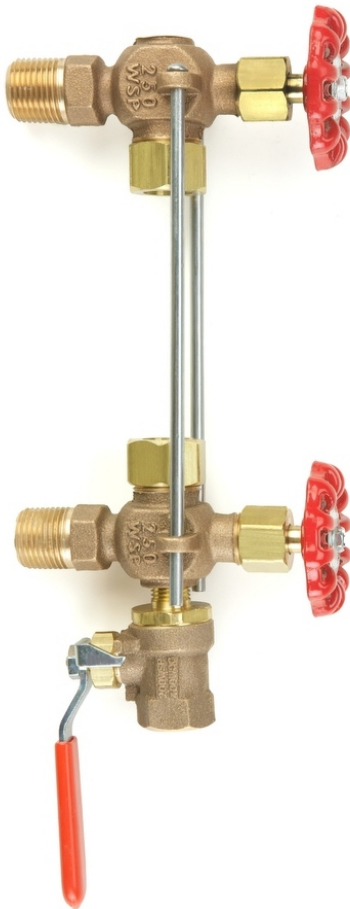
Model 34012 Short Shank Water Gauge Fixture Set W/Ball Valve for Blow Off

**250 WSP @ 406°F Max
 400WOG**

Rising Stem

***Contains lead. Not For Use In Water Systems
 Intended for Human Consumption***

CRN OCO7135.2C



MATERIAL LIST		
NO.	DESCRIPTION	MATERIAL
1	Upper Fixture	See Specs 905A
2	Protector Rods 14"	Steel
3	Lower Fixture	See Specs 946AXFS

**A To determine proper glass length, subtract 1 1/8" from center to center dimensions of the installed valves.*



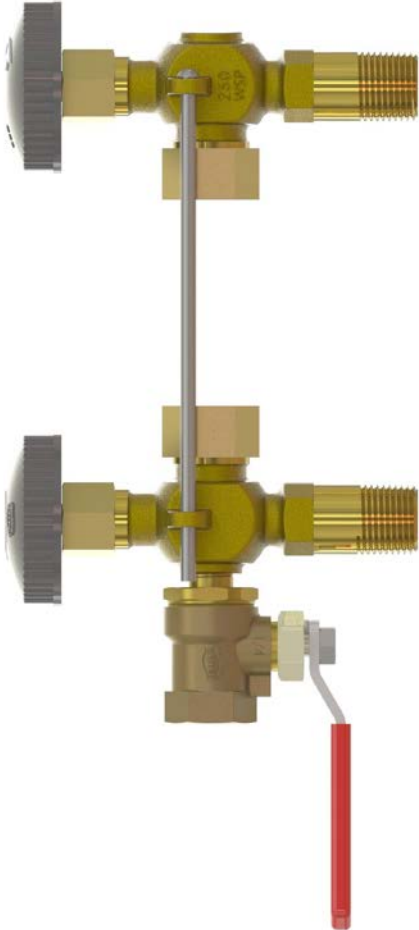
UNITED BRASS WORKS, INC
 714 S. Main St.. Randleman, N.C. 27317
 Phone: 800/334-3035 Fax: 800/498-4696 www.ubw.com



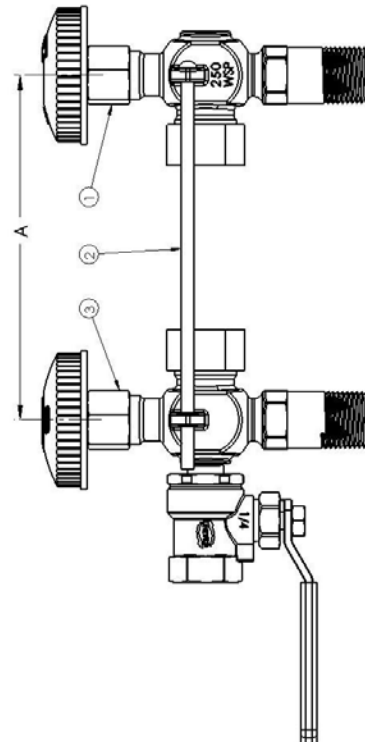
Model 34013 Long Shank Water Gauge Fixture Set W/Ball Valve for Blow Off and Plastic Hand Wheels

250 WSP @ 406°F Max
400WOG
Rising Stem

***Contains lead. Not For Use In Water Systems
 Intended for Human Consumption***



CRN OCO7135.2C



MATERIAL LIST		
NO.	DESCRIPTION	MATERIAL
1	Upper Fixture	See Specs 905PW
2	Protector Rods 14"	Steel
3	Lower Fixture	See Specs 946XFN

**A To determine proper glass length, subtract 1 1/8" from center to center dimensions of the installed valves.*



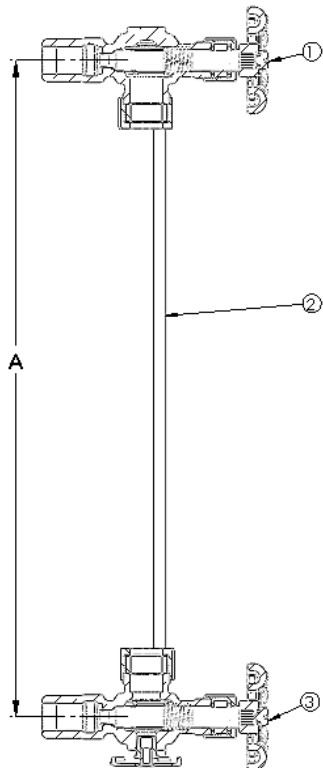
UNITED BRASS WORKS, INC
 714 S. Main St.. Randleman, N.C. 27317
 Phone: 800/334-3035 Fax: 800/498-4696 www.ubw.com



**34014 1/2" Long Shank
 Water Gauge Fixture Set
 with Ball Check**

**250 WSP @ 406°F Max
 400WOG~Rising Stem
 *Contains lead. Not Intended for
 Use in Potable Water Systems***

CRN OCO7135.2C

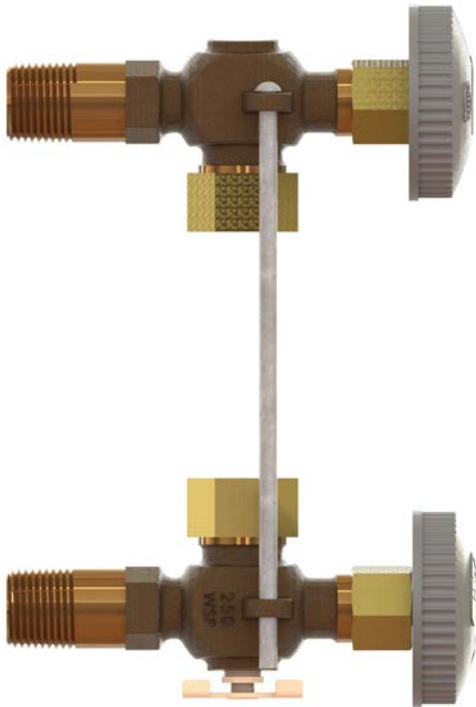


MATERIAL LIST		
No.	Description	Material
1	905S 1/2"	See Valve Spec
2	908 Rod Set	Steel
3	946A 1/2"	See Valve Spec

*A To determine proper glass length, subtract 1 1/8" from center to center dimensions of the installed valves.



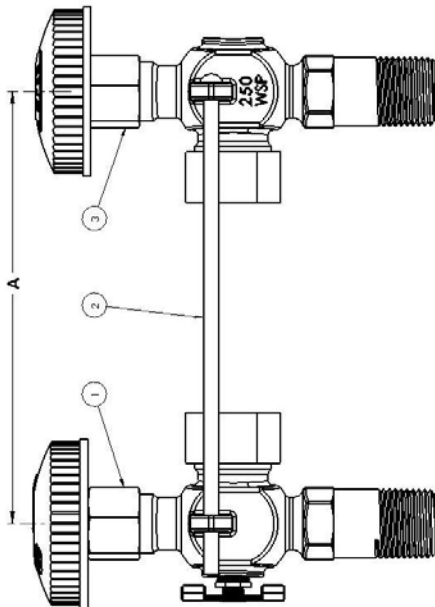
UNITED BRASS WORKS, INC
 714 S. Main St.. Randleman, N.C. 27317
 Phone: 800/334-3035 Fax: 800/498-4696 www.ubw.com



**34014PW 1/2" Long Shank
 Water Gauge Fixture Set
 with Ball Checks and
 Plastic Hand Wheels**

**250 WSP @ 406°F Max
 400WOG~Rising Stem
 *Contains lead. Not Intended for
 Use in Potable Water Systems***

CRN OCO7135.2C



MATERIAL LIST		
No.	Description	Material
1	905SPW 1/2"	See Valve Spec
2	908 Rod Set	Steel
3	946SPW 1/2"	See Valve Spec

*A To determine proper glass length, subtract 1 1/8" from center to center dimensions of the installed valves.



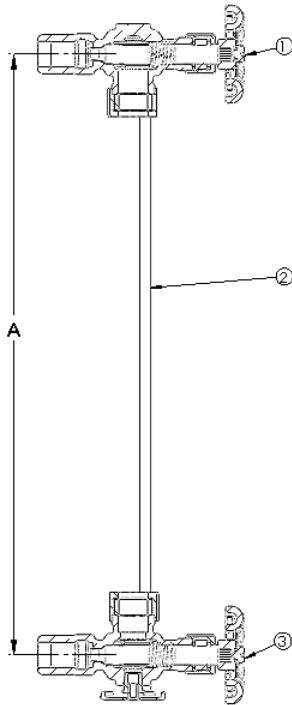
UNITED BRASS WORKS, INC
 714 S. Main St.. Randleman, N.C. 27317
 Phone: 800/334-3035 Fax: 800/498-4696 www.ubw.com



**34015 1/2" Short Shank
 Water Gauge Fixture Set
 with Ball Check**

**250 WSP @ 406°F Max
 400WOG~Rising Stem
 *Contains lead. Not Intended for
 Use in Potable Water Systems***

CRN OCO7135.2C

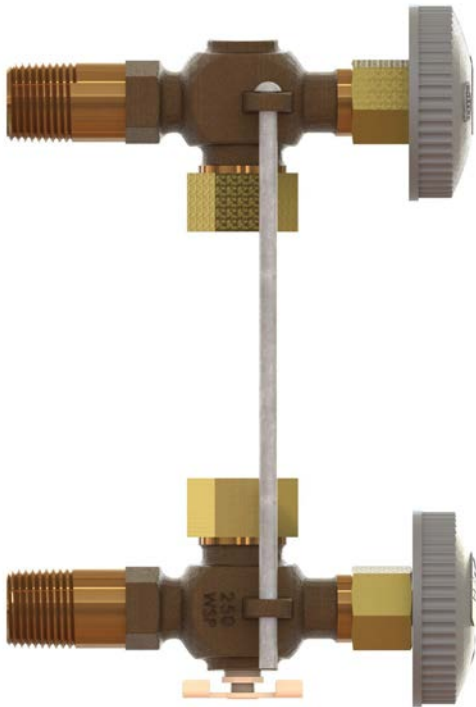


MATERIAL LIST		
No.	Description	Material
1	905AS 1/2"	See Valve Spec
2	908 Rod Set	Steel
3	946AS 1/2"	See Valve Spec

*A To determine proper glass length, subtract 1 1/8" from center to center dimensions of the installed valves.



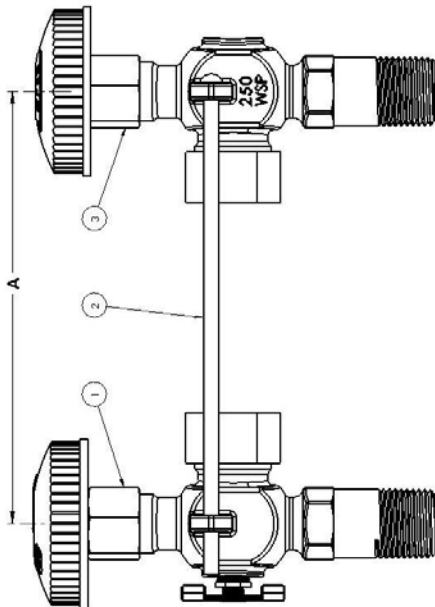
UNITED BRASS WORKS, INC
 714 S. Main St.. Randleman, N.C. 27317
 Phone: 800/334-3035 Fax: 800/498-4696 www.ubw.com



**34015PW 1/2" Short Shank
 Water Gauge Fixture Set
 with Ball Checks and
 Plastic Hand Wheels**

**250 WSP @ 406°F Max
 400WOG~Rising Stem
 *Contains lead. Not Intended for
 Use in Potable Water Systems***

CRN OCO7135.2C



MATERIAL LIST		
No.	Description	Material
1	905ASPW 1/2"	See Valve Spec
2	908 Rod Set	Steel
3	946ASPW 1/2"	See Valve Spec

*A To determine proper glass length, subtract 1 1/8" from center to center dimensions of the installed valves.



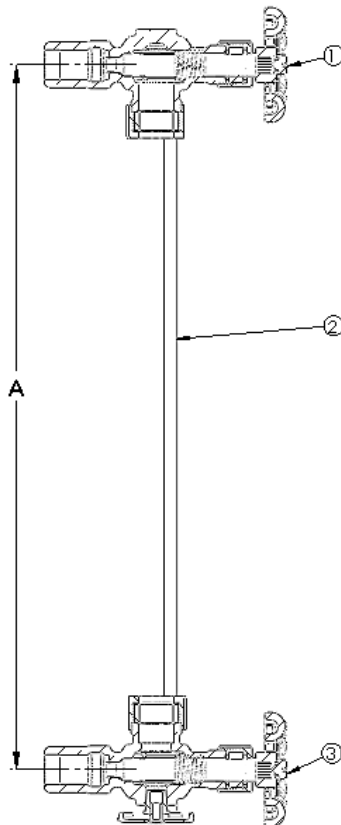
UNITED BRASS WORKS, INC
 714 S. Main St.. Randleman, N.C. 27317
 Phone: 800/334-3035 Fax: 800/498-4696 www.ubw.com



**34017 1/2'' Long Shank
 Water Gauge Fixture Set**

**250 WSP @ 406°F Max
 400WOG~Rising Stem
 *Contains lead. Not Intended for
 Use in Potable Water Systems***

CRN OCO7135.2C



MATERIAL LIST		
No.	Description	Material
1	905 1/2"	See Valve Spec
2	908 Rod Set	Steel
3	946 1/2"	See Valve Spec

*A To determine proper glass length, subtract 1 1/8'' from center to center dimensions of the installed valves.



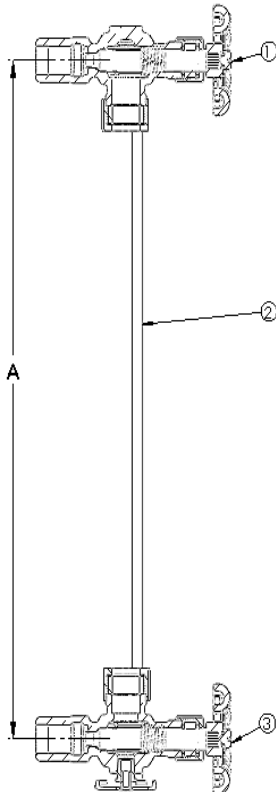
UNITED BRASS WORKS, INC
 714 S. Main St.. Randleman, N.C. 27317
 Phone: 800/334-3035 Fax: 800/498-4696 www.ubw.com



**34018 1/2" Short Shank
 Water Gauge Fixture Set**

**250 WSP @ 406°F Max
 400WOG~Rising Stem
 *Contains lead. Not Intended for
 Use in Potable Water Systems***

CRN OCO7135.2C

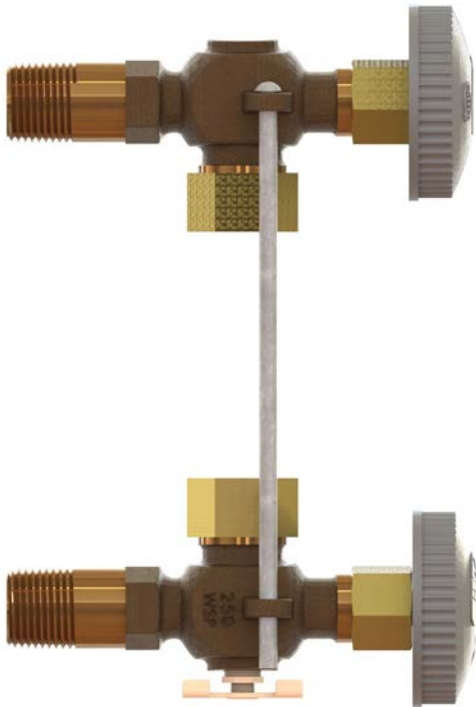


MATERIAL LIST		
No.	Description	Material
1	905A 1/2"	See Valve Spec
2	908 Rod Set	Steel
3	946A 1/2"	See Valve Spec

*A To determine proper glass length, subtract 1 1/8" from center to center dimensions of the installed valves.



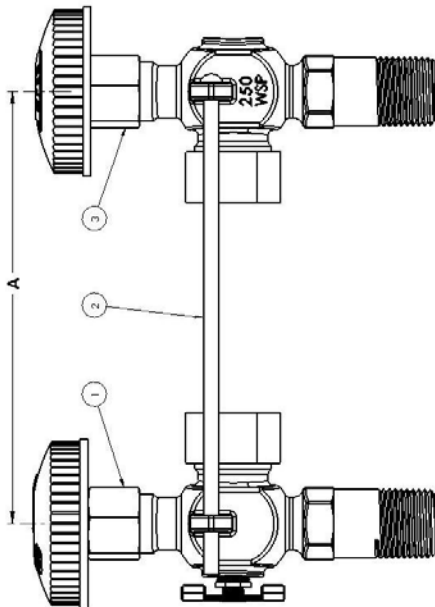
UNITED BRASS WORKS, INC
 714 S. Main St.. Randleman, N.C. 27317
 Phone: 800/334-3035 Fax: 800/498-4696 www.ubw.com



**34020 1/2" Long Shank
 Water Gauge Fixture Set
 with Plastic Hand Wheels**

**250 WSP @ 406°F Max
 400WOG~Rising Stem
 *Contains lead. Not Intended for
 Use in Potable Water Systems***

CRN OCO7135.2C

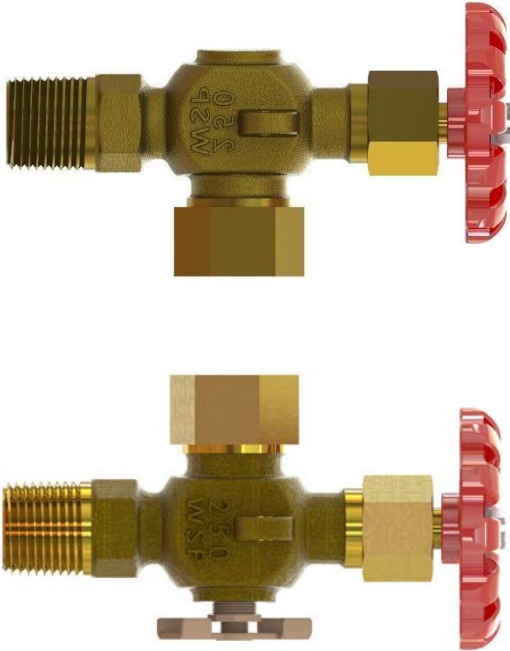


MATERIAL LIST		
No.	Description	Material
1	905PW 1/2"	See Valve Spec
2	908 Rod Set	Steel
3	946PW 1/2"	See Valve Spec

*A To determine proper glass length, subtract 1 1/8" from center to center dimensions of the installed valves.



UNITED BRASS WORKS, INC
 714 S. Main St.. Randleman, N.C. 27317
 Phone: 800/334-3035 Fax: 800/498-4696 www.ubw.com



**34021 1/2" Long Shank
 Water Gauge Fixture Set
 Less Protector Rods**

**250 WSP @ 406°F Max
 400WOG~Rising Stem
 *Contains lead. Not Intended for
 Use in Potable Water Systems***

CRN OCO7135.2C

MATERIAL LIST		
No.	Description	Material
1	905 1/2"	See Valve Spec
2	946 1/2"	See Valve Spec

*A To determine proper glass length, subtract 1 1/8" from center to center dimensions of the installed valves.



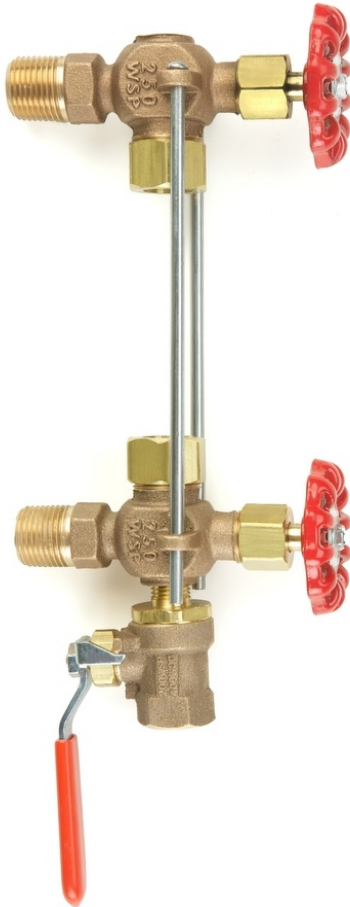
UNITED BRASS WORKS, INC
 714 S. Main St.. Randleman, N.C. 27317
 Phone: 800/334-3035 Fax: 800/498-4696 www.ubw.com



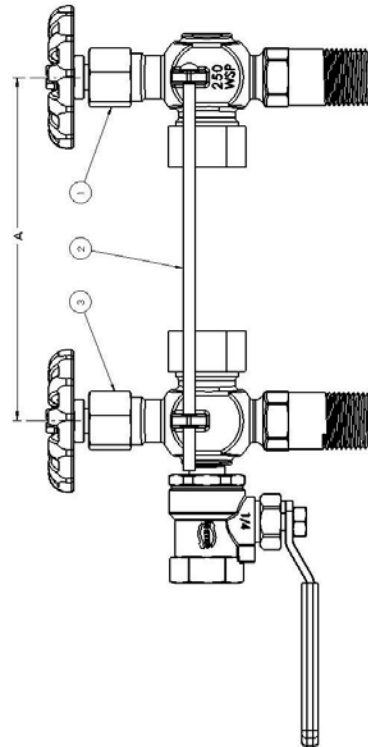
Model 34031 Short Shank Water Gauge Fixture Set W/Ball Checks and Ball Valve for Blow Off

250 WSP @ 406°F Max
400WOG
Rising Stem

***Contains lead. Not For Use In Water Systems
 Intended for Human Consumption***



CRN OCO7135.2C



MATERIAL LIST		
NO.	DESCRIPTION	MATERIAL
1	Upper Fixture	See Specs 905AS
2	Protector Rods 14"	Steel
3	Lower Fixture	See Specs 946AXFS

**A To determine proper glass length, subtract 1 1/8" from center to center dimensions of the installed valves.*



UNITED BRASS WORKS, INC
 714 S. Main St.. Randleman, N.C. 27317
 Phone: 800/334-3035 Fax: 800/498-4696 www.ubw.com



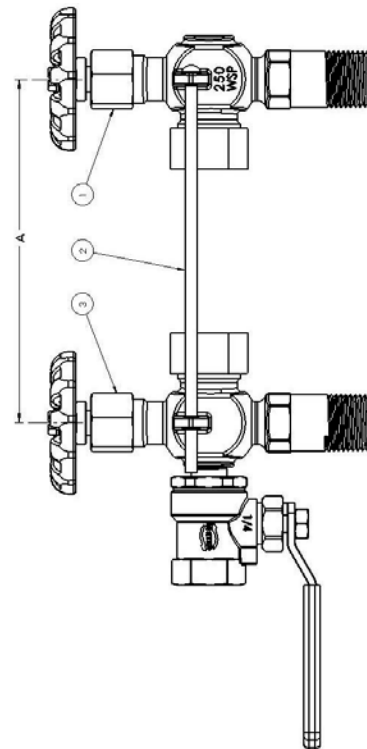
Model 34032 Long Shank Water Gauge Fixture Set W/Ball Checks and Ball Valve for Blow Off

250 WSP @ 406°F Max
400WOG
Rising Stem

***Contains lead. Not For Use In Water Systems
 Intended for Human Consumption***



CRN OCO7135.2C

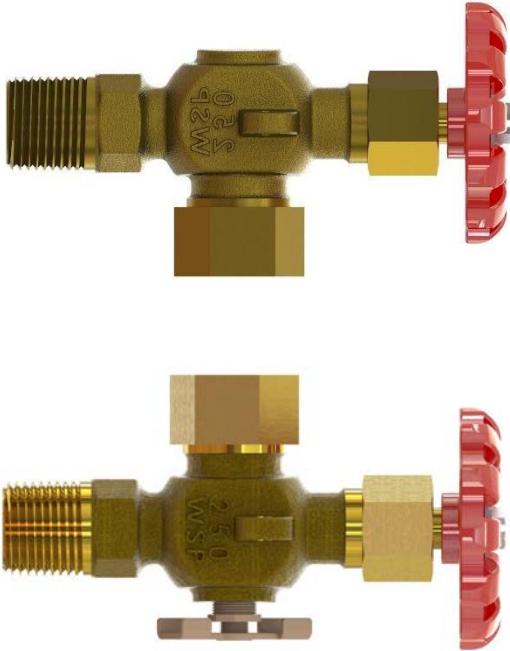


MATERIAL LIST		
NO.	DESCRIPTION	MATERIAL
1	Upper Fixture	See Specs 905S
2	Protector Rods 14"	Steel
3	Lower Fixture	See Specs 946XFS

**A To determine proper glass length, subtract 1 1/8" from center to center dimensions of the installed valves.*



UNITED BRASS WORKS, INC
 714 S. Main St.. Randleman, N.C. 27317
 Phone: 800/334-3035 Fax: 800/498-4696 www.ubw.com



**34033 1/2” Short Shank
 Water Gauge Fixture Set
 Less Protector Rods**

**250 WSP @ 406°F Max
 400WOG~Rising Stem
 *Contains lead. Not Intended for
 Use in Potable Water Systems***

CRN OCO7135.2C

MATERIAL LIST		
No.	Description	Material
1	905A 1/2"	See Valve Spec
2	946A 1/2"	See Valve Spec

*A To determine proper glass length, subtract 1 1/8” from center to center dimensions of the installed valves.



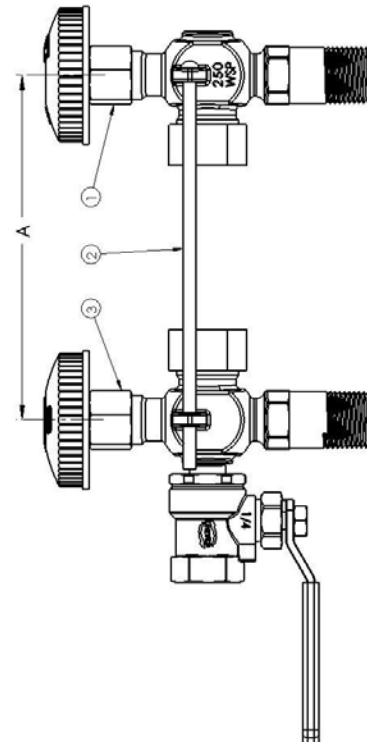
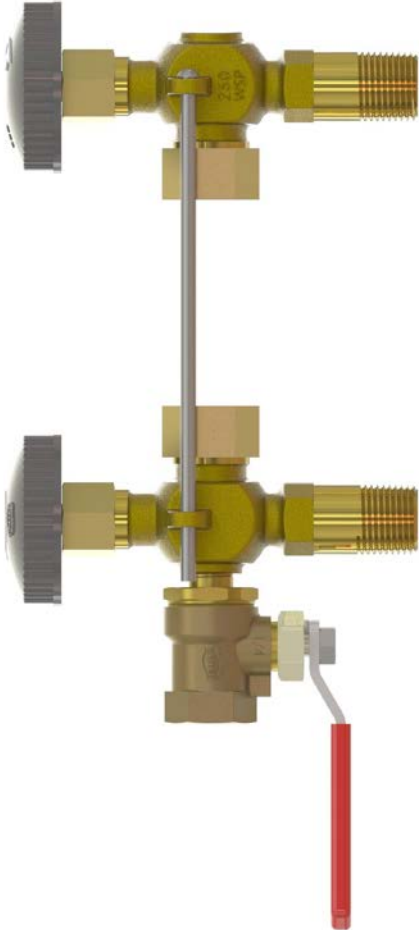
UNITED BRASS WORKS, INC
 714 S. Main St.. Randleman, N.C. 27317
 Phone: 800/334-3035 Fax: 800/498-4696 www.ubw.com



Model 34036 Long Shank Water Gauge Fixture Set W/Ball Checks, Plastic Hand Wheel and Ball Valve for Blow Off

250 WSP @ 406°F Max
400WOG
Rising Stem

***Contains lead. Not For Use In Water Systems
 Intended for Human Consumption***



MATERIAL LIST		
NO.	DESCRIPTION	MATERIAL
1	Upper Fixture	See Specs 905SPW
2	Protector Rods 14"	Steel
3	Lower Fixture	See Specs 946XFSN

**A To determine proper glass length, subtract 1 1/8" from center to center dimensions of the installed valves.*



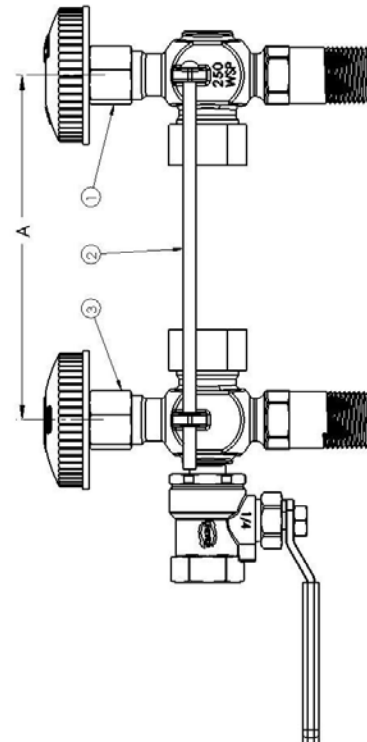
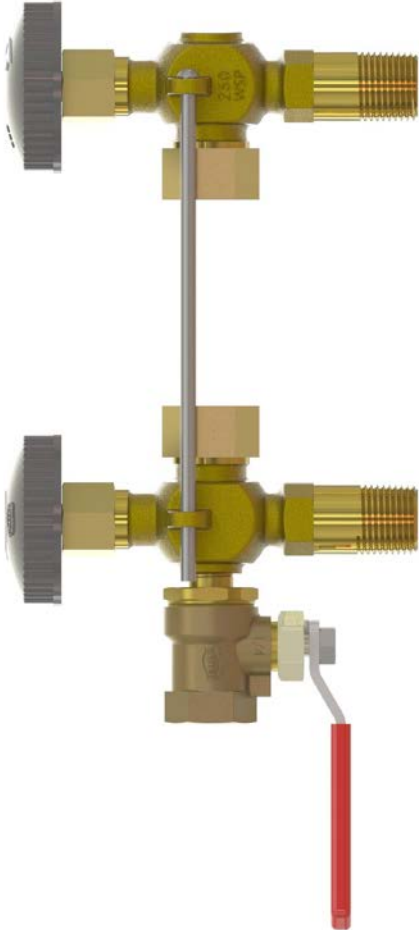
UNITED BRASS WORKS, INC
 714 S. Main St.. Randleman, N.C. 27317
 Phone: 800/334-3035 Fax: 800/498-4696 www.ubw.com



Model 34038 Short Shank Water Gauge Fixture Set W/Ball Checks, Plastic Hand Wheel and Ball Valve for Blow Off

250 WSP @ 406°F Max
400WOG
Rising Stem

***Contains lead. Not For Use In Water Systems
 Intended for Human Consumption***



MATERIAL LIST		
NO.	DESCRIPTION	MATERIAL
1	Upper Fixture	See Specs 905ASPW
2	Protector Rods 14"	Steel
3	Lower Fixture	See Specs 946AXFSN

**A To determine proper glass length, subtract 1 1/8" from center to center dimensions of the installed valves.*



UNITED BRASS WORKS, INC.
 714 S. Main St. Randleman, N.C. 27317
 Tel: 800-334-3035 Fax: 800-498-4696 www.ubw.com



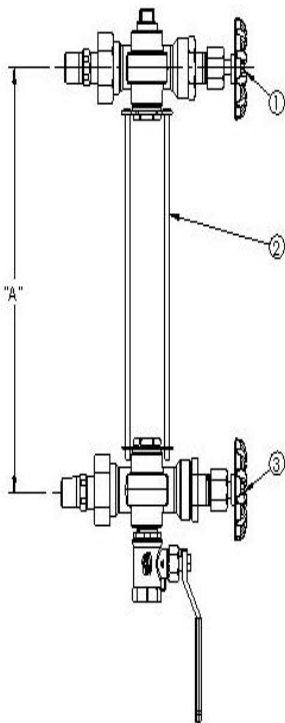
Model 34041 High Pressure Boiler Gauge Fixture Set With Ball Checks

250WSP @ 406° F

**ASME Compliant per B31.1 and
 Section One, PG 60 Appendix A18
 of ASME Boiler Code**

This gauge fixture set is an offset design. Both valves have union bonnets with blow-out proof stems. The union tail pieces incorporate an 1/8" adjustment to aid in alignment.

*** Contains Lead. Not Intended for Use
 in Potable Water Systems ***



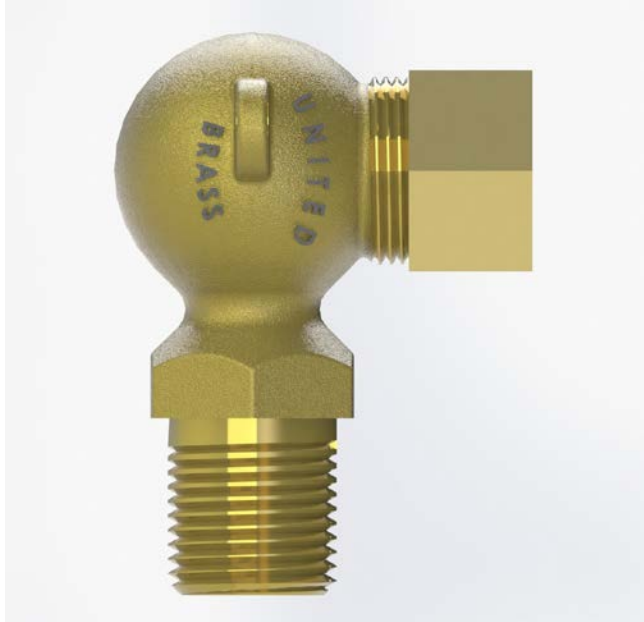
MATERIAL LIST		
No.	Description	Material
1	902 1/2"	See Valve Spec
2	908 Rod Set	Steel
3	903 1/2"	See Valve Spec

To determine proper glass length subtract 3/4" from the center-to-center dimension of the installed valves

Unit Weight 6.5 lbs.



UNITED BRASS WORKS, INC
 714 S. Main St.. Randleman, N.C. 27317
 Phone: 800/334-3035 Fax: 800/498-4696 www.ubw.com



Model 910 1/2" Upper Expansion Tank Fixture

250 WSP @ 406°F Max

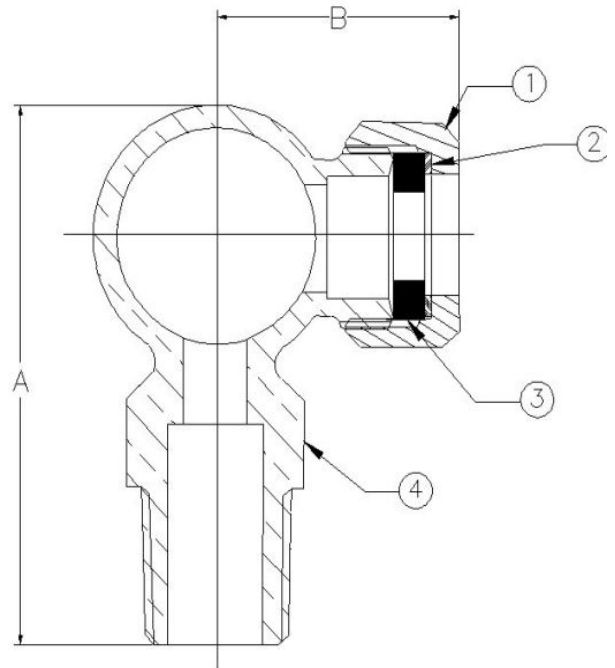
400WOG

Bronze Body

***Contains lead. Not For Use In Water Systems
 Intended for Human Consumption***

MATERIAL LIST

NO.	DESCRIPTION	MATERIAL
1	Glass Washer Nut	Brass
2	Washer	Steel
3	Glass Washer	EPDM
4	Body	Bronze



Size	1/2"
A	2.81
B	1.47
Ship Wt. (lbs.)	0.44
Qty. Per Carton	12



UNITED BRASS WORKS, INC
 714 S. Main St.. Randleman, N.C. 27317
 Phone: 800/334-3035 Fax: 800/498-4696 www.ubw.com



Model 911 1/2" Lower Expansion Tank Fixture

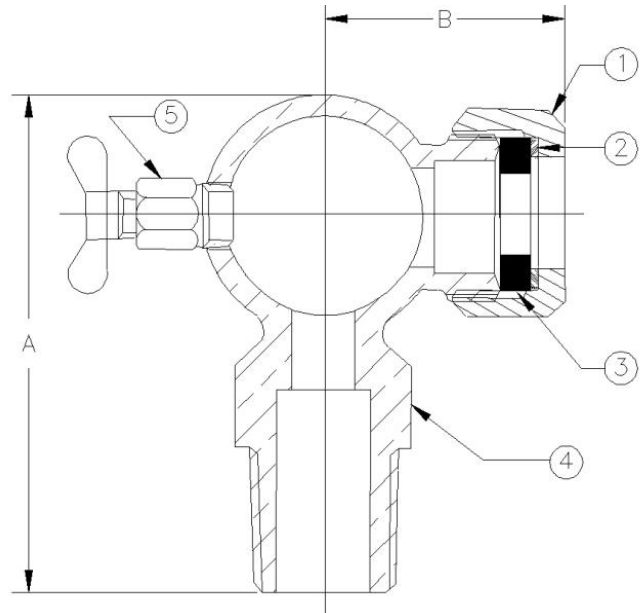
**250 WSP @ 406°F Max
 400WOG**

Bronze Body

***Contains lead. Not For Use In Water Systems
 Intended for Human Consumption***

MATERIAL LIST

NO.	DESCRIPTION	MATERIAL
1	Glass Washer Nut	Brass
2	Washer	Steel
3	Glass Washer	EPDM
4	Body	Bronze
5	Drain Cock	Steel



Size	1/2"
A	2.81
B	1.47
Ship Wt. (lbs.)	0.44
Qty. Per Carton	12



UNITED BRASS WORKS, INC
 714 S. Main St.. Randleman, N.C. 27317
 Phone: 800/334-3035 Fax: 800/498-4696 www.ubw.com



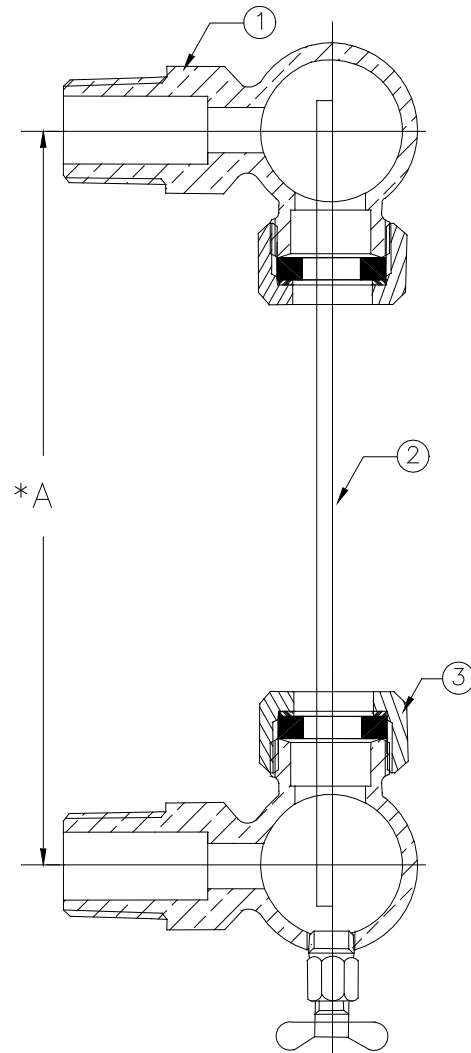
Model 34019 Expansion Tank Fixture Set

250 WSP @ 406°F Max

***Contains lead. Not For Use In Water Systems
Intended for Human Consumption***

MATERIAL LIST

NO.	DESCRIPTION	MATERIAL
1	Upper Fixture	See Specs for 910
2	Protector Rods	Steel
3	Lower Fixture	See Specs for 911



*** A** *To determine proper glass length, subtract 1 1/8" from center to center dimensions of the installed valves.*

+



UNITED BRASS WORKS, INC
714 S. Main St.. Randleman, N.C. 27317
Phone: 800/334-3035 Fax: 800/498-4696 www.ubw.com



Model 974 Pressure Gauge

1/4" NPT Connection

*2 1/2" Face Available in
60, 100, 160 & 200 lbs. Pressure.*



UNITED BRASS WORKS, INC
714 S. Main St.. Randleman, N.C. 27317
Phone: 800/334-3035 Fax: 800/498-4696 www.ubw.com



Model 974 Pressure Gauge

1/4" NPT Connection

*3 1/2" Face Available in
160, 200 & 300 lbs. Pressure.*



UNITED BRASS WORKS, INC
714 S. Main St.. Randleman, N.C. 27317
Phone: 800/334-3035 Fax: 800/498-4696 www.ubw.com



Model 974B 2½” Back Connect Gauge

2½” Face

¼” NPT Connection

Available in 100 lbs. Pressure.

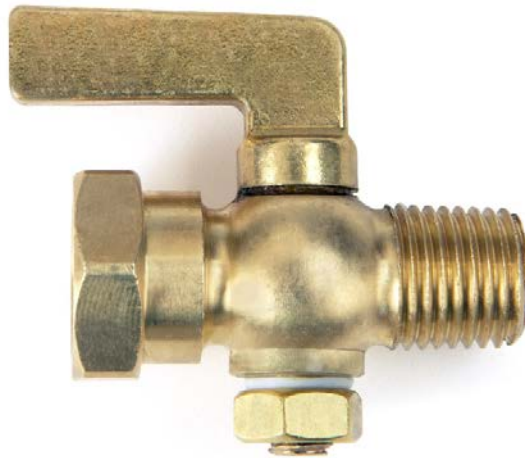


UNITED BRASS WORKS, INC
714 S. Main St.. Randleman, N.C. 27317
Phone: 800/334-3035 Fax: 800/498-4696 www.ubw.com



Model 971 Lever Handle Petcock

**125WSP @ 350° Max.
1/4" Male x Female NPT
*Contains lead. Not For Use In Water
Systems Intended for Human
Consumption***



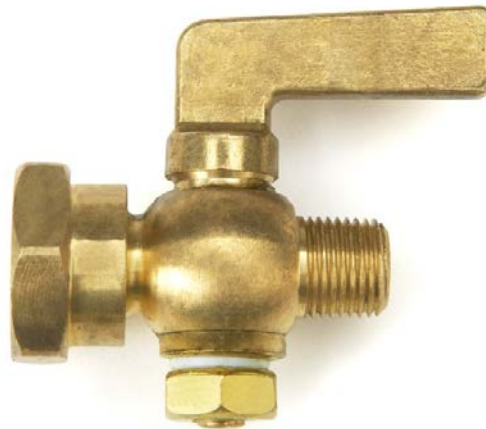


UNITED BRASS WORKS, INC
714 S. Main St.. Randleman, N.C. 27317
Phone: 800/334-3035 Fax: 800/498-4696 www.ubw.com



Model 971A Lever Handle Petcock

125WSP @ 350° Max.
1/4" NPT Female x 1/8" NPT Male
***Contains lead. Not For Use In Water
Systems Intended for Human
Consumption***





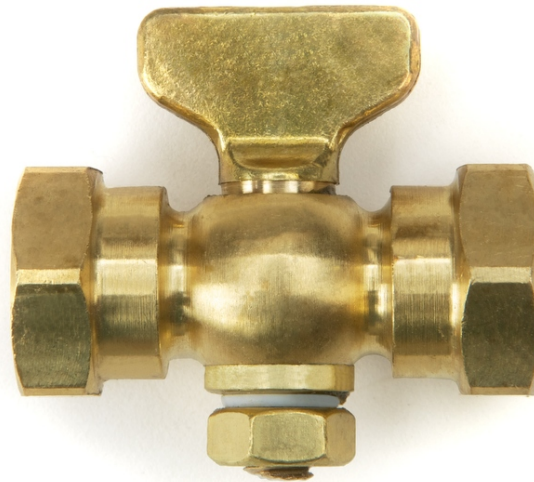
UNITED BRASS WORKS, INC
714 S. Main St.. Randleman, N.C. 27317
Phone: 800/334-3035 Fax: 800/498-4696 www.ubw.com



Model 973 Tee Handle Cock

125WSP @ 350° Max.
1/4" Double Female NPT

Contains lead. Not For Use In Water Systems Intended for Human Consumption





UNITED BRASS WORKS, INC
714 S. Main St.. Randleman, N.C. 27317
Phone: 800/334-3035 Fax: 800/498-4696 www.ubw.com



Model 972AI Syphon

1/4" NPT Both End

**Black Iron Pipe
300 WSP Max.**

90° Pattern





UNITED BRASS WORKS, INC
714 S. Main St.. Randleman, N.C. 27317
Phone: 800/334-3035 Fax: 800/498-4696 www.ubw.com



Model 972B Syphon

1/4" NPT Both Ends
Brass Pipe
200 WSP Max.
180° Pattern
***Contains lead. Not For Use In Water**
Systems Intended for Human





UNITED BRASS WORKS, INC
714 S. Main St.. Randleman, N.C. 27317
Phone: 800/334-3035 Fax: 800/498-4696 www.ubw.com



Model 972I Syphon

1/4" NPT Both Ends
Black Iron Pipe
300 WSP Max.
180° Pattern





UNITED BRASS WORKS, INC
 714 S. Main St.. Randleman, N.C. 27317
 Phone: 800/334-3035 Fax: 800/498-4696 www.ubw.com



Model 70P
High Pressure Indicator
With Polycarbonate* Window
175 WOG @ 150° Max



100% Pressure Tested

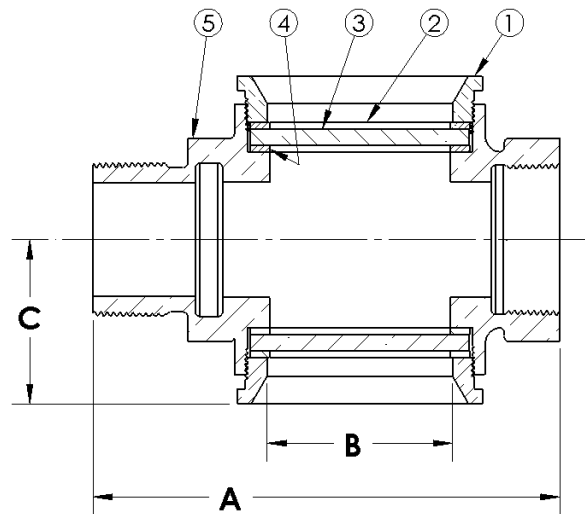
Male X Female Configuration

***Contains lead. Not For Use In Water Systems**
Intended for Human Consumption*

Continuous use above 150° can cause embrittlement and reduce strength of Polycarbonate Window.

MATERIAL LIST

NO.	DESCRIPTION	MATERIAL
1	Ring	Brass
2	Gasket	Cork
3	Window	Polycarbonate
4	Gasket	Buna
5	Body	Bronze



Size	3/4"	1"	1 1/4"	1 1/2"	2"	2 1/2"
Operating Pressure (PSI) ***	175	175	175	175	175	175
A	4.00	4.00	4.00	6.18	6.29	6.38
B	1.62	1.62	1.62	2.43	2.43	2.43
C	1.36	1.26	1.45	2.12	2.15	2.25
Ship Wgt. (lbs)	1.37	1.50	1.50	4.69	4.56	5.25
Qty. Unit Pack	4	4	4	2	2	1
Unit Per Case	40	40	40			

*** Higher Pressure Glass Available As Special



UNITED BRASS WORKS, INC
 714 S. Main St.. Randleman, N.C. 27317
 Phone: 800/334-3035 Fax: 800/498-4696 www.ubw.com



Model 70BSP High Pressure Flow Indicator With Polycarbonate Window & Activity Signal

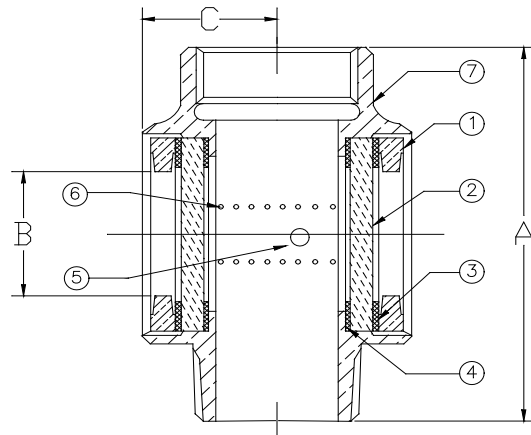


100% Pressure Tested
Male X Female Configuration
175 WOG @ 150° Max
Contains lead. Not For Use In Water Systems Intended for Human Consumption

Continuous use above 150° can cause embrittlement and reduce strength of Polycarbonate Window.

MATERIAL LIST

NO.	DESCRIPTION	MATERIAL
1	Ring	Brass
2	Window	Polycarbonate
3	Gasket	Cork
4	Gasket	Buna
5	Ball	Nylon
6	Spring	Stainless Steel
7	Body	Bronze



Size	3/4"	1"	1 1/4"	1 1/2"	2"	2 1/2"
Operating Pressure (PSI) ***	175	175	175	175	175	175
A	4.00	4.00	4.00	6.18	6.29	6.38
B	1.62	1.62	1.62	2.43	2.43	2.43
C	1.36	1.26	1.45	2.12	2.15	2.25
Ship Wgt. (lbs)	1.37	1.50	1.50	4.69	4.56	5.25
Qty. Unit Pack	4	4	4	2	2	1
Unit Per Case	40	40	40			

*** Higher Pressure Glass Available As Special



UNITED BRASS WORKS, INC
 714 S. Main St.. Randleman, N.C. 27317
 Phone: 800/334-3035 Fax: 800/498-4696 www.ubw.com



Model 70H Flow Indicator



(See Chart Below for Operating Pressure by Size.)

100% Pressure Tested

Male X Female Configuration

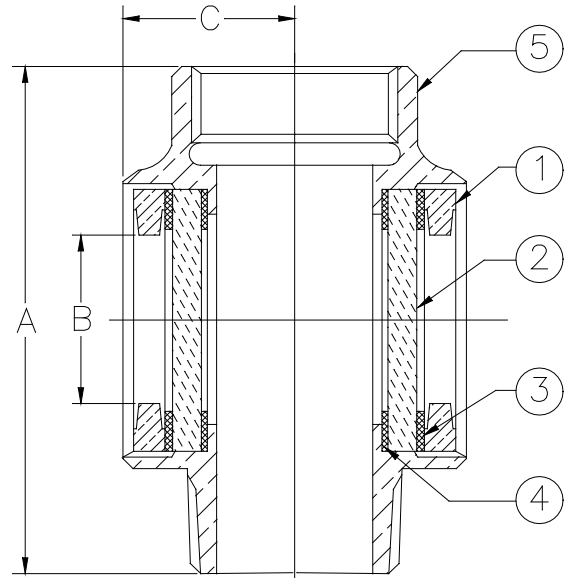
180 Degrees F Max

***Contains lead. Not For Use In Water Systems**

Intended for Human Consumption*

MATERIAL LIST

NO.	DESCRIPTION	MATERIAL
1	Ring	Brass
2	Window	High Pressure Glass
3	Gasket	Cork
4	Gasket	Buna
5	Body	Bronze



Size	3/4"	1"	1 1/4"	1 1/2"	2"	2 1/2"
Operating Pressure (PSI) ***	85	85	85	40	40	40
A	4.00	4.00	4.00	6.18	6.29	6.38
B	1.62	1.62	1.62	2.43	2.43	2.43
C	1.36	1.26	1.45	2.12	2.15	2.25
Ship Wgt. (lbs)	1.37	1.50	1.50	4.69	4.56	5.25
Qty. Unit Pack	4	4	4	2	2	1
Unit Per Case	40	40	40			

*** Higher Pressure Glass Available As Special



UNITED BRASS WORKS, INC
 714 S. Main St.. Randleman, N.C. 27317
 Phone: 800/334-3035 Fax: 800/498-4696 www.ubw.com



Model 70HB High Pressure Flow Indicator With Activity Signal



(See Chart Below for Operating Pressure by Size.)

100% Pressure Tested

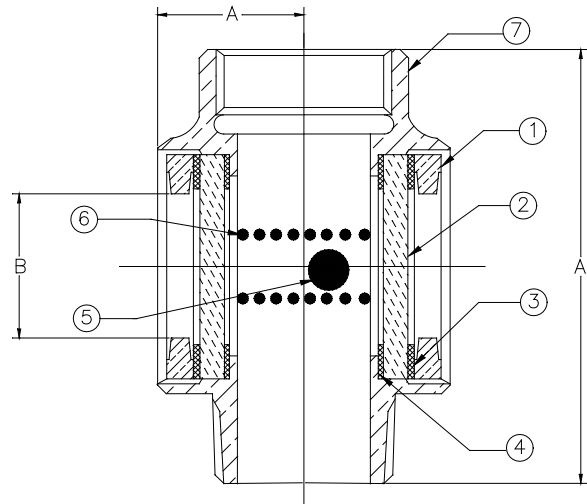
Male X Female Configuration

180 Degrees F Max

***Contains lead. Not For Use In Water Systems
 Intended for Human Consumption***

MATERIAL LIST

NO.	DESCRIPTION	MATERIAL
1	Ring	Brass
2	Gasket	Cork
3	Window	Glass
4	Gasket	Buna
5	Ball	Nylon
6	Spring	Stainless Steel
7	Body	Bronze



Size	¾"	1"	1 ¼"	1 ½"	2"	2 ½"
Operating Pressure (PSI) ***	85	85	85	40	40	40
A	4.00	4.00	4.00	6.18	6.29	6.38
B	1.62	1.62	1.62	2.43	2.43	2.43
C	1.36	1.26	1.45	2.12	2.15	2.25
Ship Wgt. (lbs)	1.37	1.50	1.50	4.69	4.56	5.25
Qty. Unit Pack	4	4	4	2	2	1
Unit Per Case	40	40	40			

*** Higher Pressure Glass Available As Special



UNITED BRASS WORKS, INC
 714 S. Main St.. Randleman, N.C. 27317
 Phone: 800/334-3035 Fax: 800/498-4696 www.ubw.com

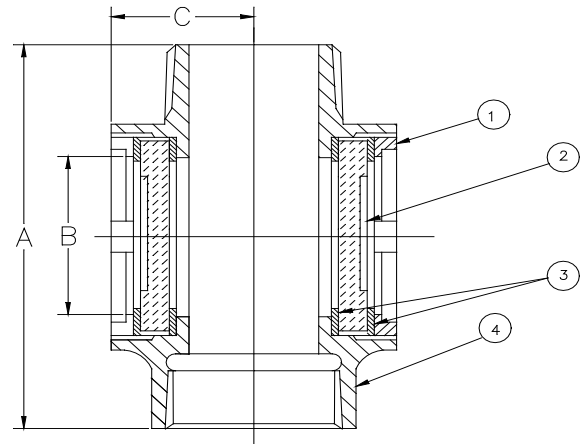


Model 70TT
High Pressure Flow Indicator
With PTFE Seals
(See chart below for operating pressure by size.)
100% Pressure Tested
Male X Female Configuration
Consult Engineering for Temp. Limits
***Contains lead. Not For Use In Water Systems**
Intended for Human Consumption*



MATERIAL LIST

NO.	DESCRIPTION	MATERIAL
1	Ring	Brass
2	Window	Glass
3	Gaskets	PTFE
4	Body	Bronze



Size	3/4"	1"	1 1/4"	1 1/2"	2"	2 1/2"
Operating Pressure (PSI) ***	85	85	85	40	40	40
A	4.00	4.00	4.00	6.18	6.29	6.38
B	1.62	1.62	1.62	2.43	2.43	2.43
C	1.36	1.26	1.4	2.12	2.15	2.25
Ship Wgt. (lbs)	1.37	1.50	1.50	4.69	4.56	5.25
Qty. Unit Pack	4	4	4	2	2	1
Unit Per Case	40	40	40			

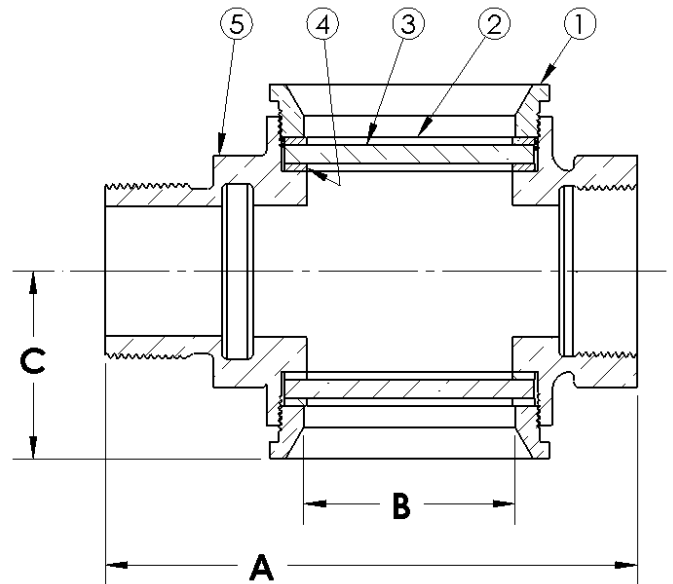
*** Higher Pressure Glass Available As Special



UNITED BRASS WORKS, INC
 714 S. Main St.. Randleman, N.C. 27317
 Phone: 800/334-3035 Fax: 800/498-4696 www.ubw.com



Model 70TTSL
High Pressure Flow Indicator
With PTFE Seals
Tempered Soda Lime Glass
 100% Pressure Tested
Male X Female Configuration
Consult Engineering for Temp. Limits
***Contains lead. Not For Use In Water Systems**
Intended for Human Consumption*



MATERIAL LIST

NO.	DESCRIPTION	MATERIAL
1	Ring	Brass
2	Gasket	PTFE
3	Window	Tempered Soda Lime Glass
4	Gasket	PTFE
5	Body	Bronze

Size	3/4"	1"	1 1/4"	1 1/2"	2"	2 1/2"
Operating Pressure (PSI) ***	125	125	125	85	85	85
A	4.00	4.00	4.00	6.18	6.29	6.38
B	1.62	1.62	1.62	2.43	2.43	2.43
C	1.36	1.26	1.45	2.12	2.15	2.25
Ship Wgt. (lbs)	1.37	1.50	1.50	4.69	4.56	5.25
Qty. Unit Pack	4	4	4	2	2	1
Unit Per Case	40	40	40			

*** Higher Pressure Glass Available As Special



UNITED BRASS WORKS, INC
 714 S. Main St.. Randleman, N.C. 27317
 Phone: 800/334-3035 Fax: 800/498-4696 www.ubw.com



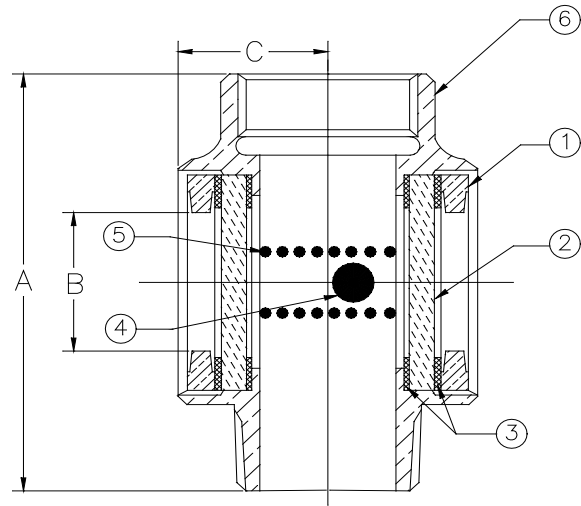
Model 70TTSLB
High Pressure Flow Indicator
With PTFE Seals,
Tempered Soda Lime Glass,
& Activity Signal
100% Pressure Tested
Male X Female Configuration
Consult Engineering for Temp. Limits



***Contains lead. Not For Use In Water Systems
 Intended for Human Consumption***

MATERIAL LIST

NO.	DESCRIPTION	MATERIAL
1	Ring	Brass
2	Glass	Tempered Soda Lime
3	Gasket	PTFE
4	Ball	Nylon
5	Spring	Stainless Steel
6	Body	Bronze



Size	3/4"	1"	1 1/4"	1 1/2"	2"	2 1/2"
Operating Pressure (PSI) ***	125	125	125	85	85	85
A	4.00	4.00	4.00	6.18	6.29	6.38
B	1.62	1.62	1.62	2.43	2.43	2.43
C	1.36	1.26	1.4	2.12	2.15	2.25
Ship Wgt. (lbs)	1.37	1.50	1.50	4.69	4.56	5.25
Qty. Unit Pack	4	4	4	2	2	1
Unit Per Case	40	40	40			

*** Higher Pressure Glass Available As Special



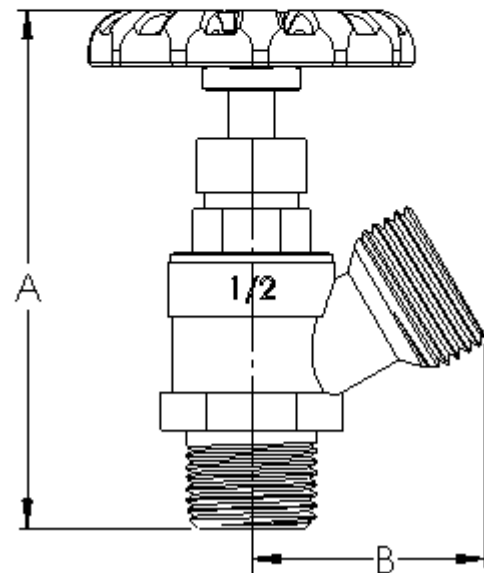
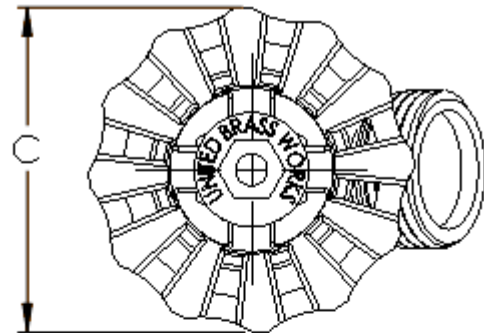
UNITED BRASS WORKS, INC.
 714 S. Main St. Randleman, N.C. 27317
 Tel: 800-334-3035 Fax: 800-498-4696 www.ubw.com



Model 19 Boiler Drain Valve (Imported)

125 CWP @ 180° F Max.
**All Brass Construction with Buna
 Disc**

***Contains Lead. Not Intended for
 Use in Potable Water Systems***



Size	1/2"	3/4"
A	3.40	3.40
B	1.50	1.50
C	2.10	2.10
Wgt. (lbs.)	.44	.53



UNITED BRASS WORKS, INC.
 714 S. Main St. Randleman, N.C. 27317
 Tel: 800-334-3035 Fax: 800-498-4696 www.ubw.com



Model 850 1/2" Steam Trap

150WSP Body Rating
Operating Range 50 – 125PSI
Ductile Iron Construction
Stainless Steel Ball & Seat

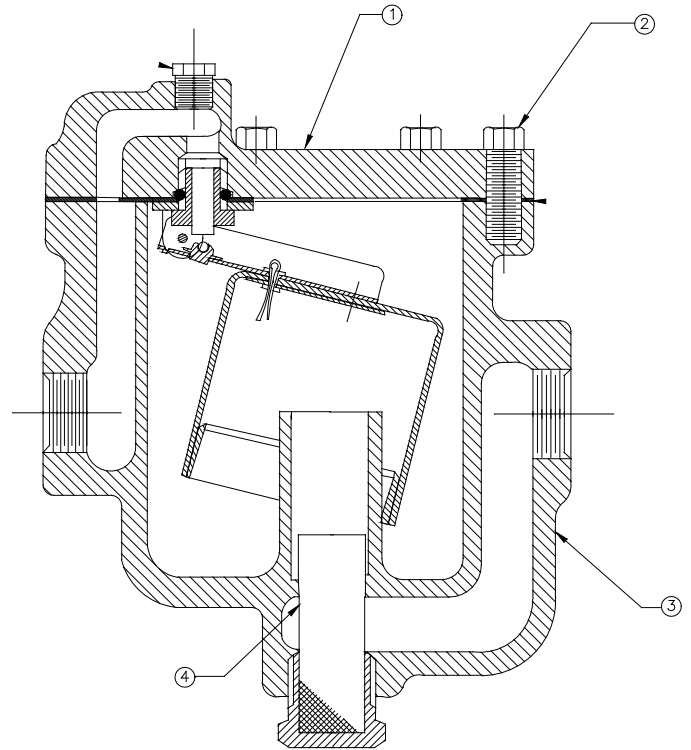
E-Coated Inside & Out For Corrosion Resistance.

Replacement cover assembly Model 850F.



MATERIAL LIST

NO.	DESCRIPTION	MATERIAL
1	Cover Assembly	Ductile Iron
2	Cap Screw	Plated Steel
3	Body	Ductile Iron
4	Strainer	Stainless Steel



Model	PSI	60	80	100	125
850 1/2"	Pounds Condensate Per Hour	384	416	466	496



UNITED BRASS WORKS, INC
 714 S. Main St.. Randleman, N.C. 27317
 Phone: 800/334-3035 Fax: 800/498-4696 www.ubw.com



Model 849 1/2" Steam Trap



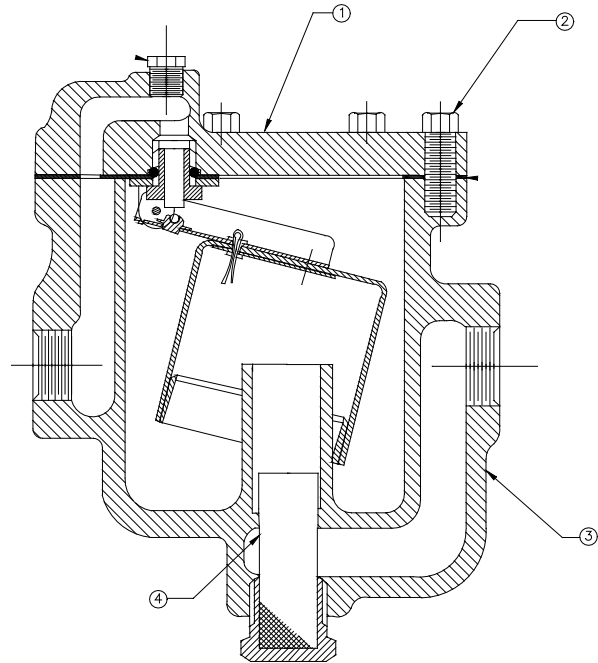
150WSP Body Rating
Operating Range 5 – 50PSI
Ductile Iron Construction
Stainless Steel Ball & Seat

E-Coated inside & out
for Corrosion Resistance

Replacement cover assembly Model 850AL

MATERIAL LIST

NO.	DESCRIPTION	MATERIAL
1	Cover Assembly	Ductile Iron
2	Cap Screw	Plated Steel
3	Body	Ductile Iron
4	Strainer	Stainless Steel



Model	PSI	5	10	20	30	40	50
849A 3/4"	Pounds Condensate Per Hour	383	461	566	629	681	765



UNITED BRASS WORKS, INC
 714 S. Main St.. Randleman, N.C. 27317
 Phone: 800/334-3035 Fax: 800/498-4696 www.ubw.com



Model 849A 3/4" Steam Trap



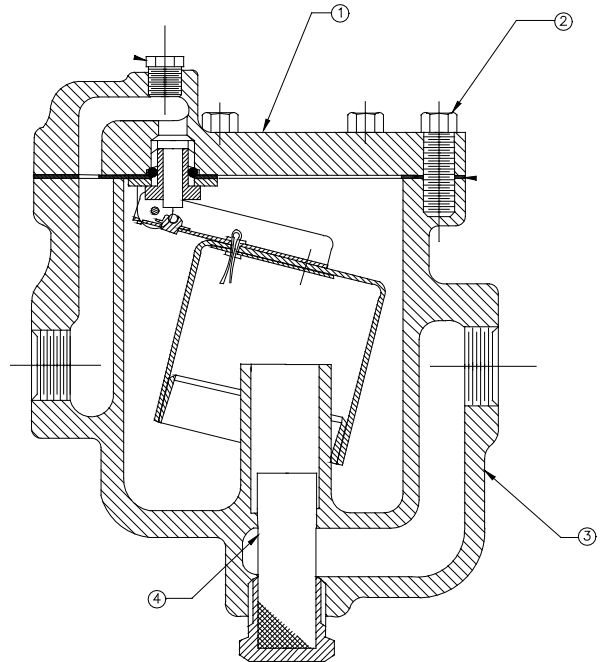
150WSP Body Rating
Operating Range 50 – 125PSI
Ductile Iron Construction
Stainless Steel Ball & Seat

E-Coated inside & out
for Corrosion Resistance

Replacement cover assembly Model 850F.

MATERIAL LIST

NO.	DESCRIPTION	MATERIAL
1	Cover Assembly	Ductile Iron
2	Cap Screw	Plated Steel
3	Body	Ductile Iron
4	Strainer	Stainless Steel



Model	PSI	60	80	100	125
849A 1/2"	Pounds Condensate Per Hour	384	416	466	496



UNITED BRASS WORKS, INC
 714 S. Main St.. Randleman, N.C. 27317
 Phone: 800/334-3035 Fax: 800/498-4696 www.ubw.com



Model 849B 3/4" Steam Trap



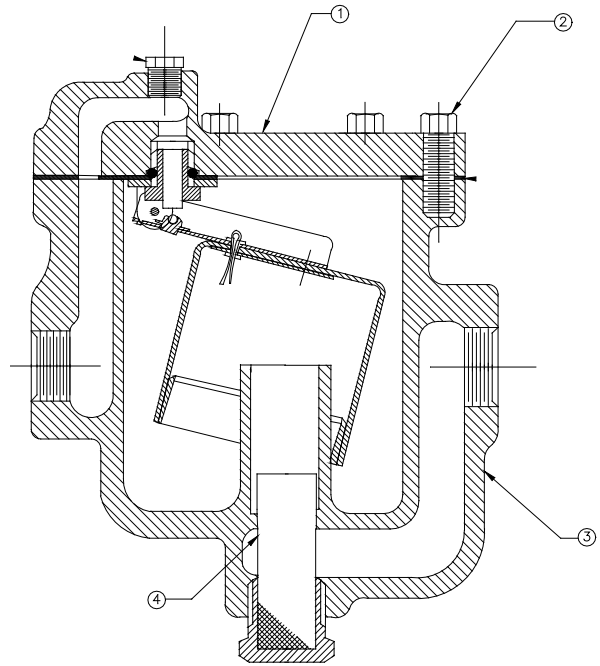
150WSP Body Rating
Operating Range 5 – 50PSI
Ductile Iron Construction
Stainless Steel Ball & Seat

E-Coated inside & out
for Corrosion Resistance

Replacement cover assembly Model 850AL.

MATERIAL LIST

NO.	DESCRIPTION	MATERIAL
1	Cover Assembly	Ductile Iron
2	Cap Screw	Plated Steel
3	Body	Ductile Iron
4	Strainer	Stainless Steel



Model	PSI	5	10	20	30	40	50
849B 3/4"	Pounds Condensate Per Hour	383	461	566	629	681	765



UNITED BRASS WORKS, INC
 714 S. Main St.. Randleman, N.C. 27317
 Phone: 800/334-3035 Fax: 800/498-4696 www.ubw.com



Model 1001 Reducing Valve (Steam & Oil Applications)



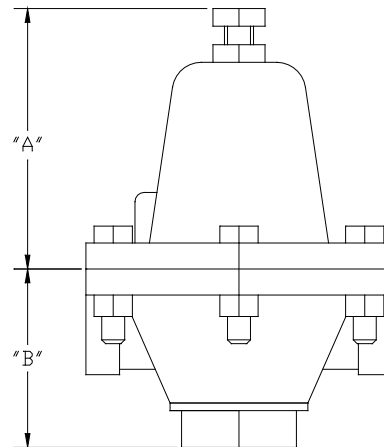
Max. Inlet Pressure – 200WSP
Max. Reduced Pressure – 150WSP *
2" Size only max reduced pressure – 125WSP

Specify Pressure Range:
0 – 45PSI or 20 – 150PSI

Bronze Piston & Cylinder
Bronze Diaphragm

Reducing Valve Replacement Parts

1011	Diaphragm
1013	Gasket
1016	Piston & Cylinder Assembly



Size	1/2"	3/4"	1"	1 1/4"	1 1/2"	2"
A	4.50	5.3	5.88	6.75	6.75	9.25
B	4.50	4.63	5.38	6.13	6.13	8.50
Ship Wgt. (lbs.)	7.50	9.00	12.00	18.00	18.00	40.00



UNITED BRASS WORKS, INC
 714 S. Main St.. Randleman, N.C. 27317
 Phone: 800/334-3035 Fax: 800/498-4696 www.ubw.com



Model 1010 Reducing Valve (Air & Water Applications)

Max. Inlet Pressure – 200WOG

Adjustment Range – 5 – 120PSI

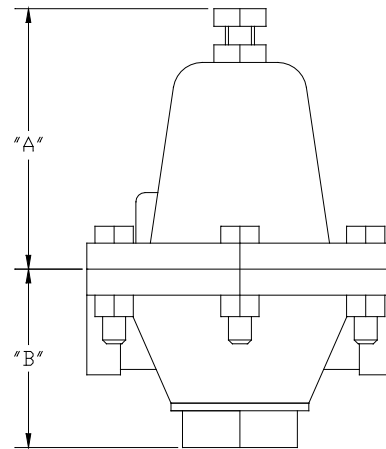
Bronze Piston & Cylinder

Neoprene Diaphragm

***Contains lead. Not For Use In Water Systems
 Intended for Human Consumption***

Reducing Valve Replacement Parts

1012	Diaphragm
1013	Gasket
1016	Piston & Cylinder Assembly



Size	1/2"	3/4"	1"	1 1/4"	1 1/2"	2"
A	4.50	5.3	5.88	6.75	6.75	9.25
B	4.50	4.63	5.38	6.13	6.13	8.50
Ship Wgt. (lbs.)	7.50	9.00	12.00	18.00	18.00	38.00



UNITED BRASS WORKS, INC
 714 S. Main St.. Randleman, N.C. 27317
 Phone: 800/334-3035 Fax: 800/498-4696 www.ubw.com



Model 915-A31 Two Port Regulating & Reducing Valve

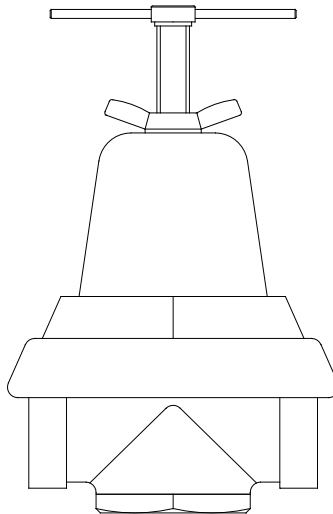


**Inlet Pressure 300PSI Max.
@180 ° Max**

Designed for Air, Water & Oil Applications.

***Contains lead. Not For Use In Water Systems
Intended for Human Consumption***

Not Rated For Steam.



Size	1/4" 2 Port	3/8" 2 Port
Pressure Range	10-125	10-125
Ship Wgt. (lbs.)	1 lb.	1 lb.



UNITED BRASS WORKS, INC
 714 S. Main St.. Randleman, N.C. 27317
 Phone: 800/334-3035 Fax: 800/498-4696 www.ubw.com



Model 915-A31S Three Port Regulating & Reducing Valve



Inlet Pressure 300 PSI Max.

@ 180 ° Max

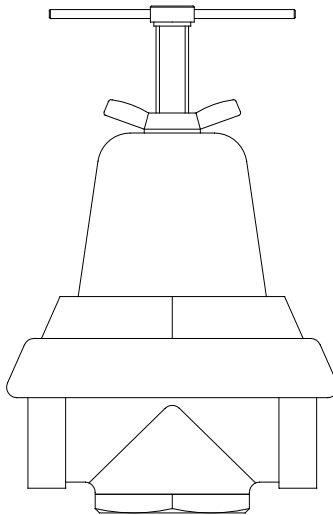
Designed for Air, Water & Oil Applications.

***Contains lead. Not For Use In Water Systems**

Intended for Human Consumption*

Not Rated For Steam.

Third port accepts Model 974B back connect gauge.



Size	1/4" 2 Port	3/8" 2 Port
Pressure Range	10-125	10-125
Ship Wgt. (lbs.)	1 lb.	1 lb.



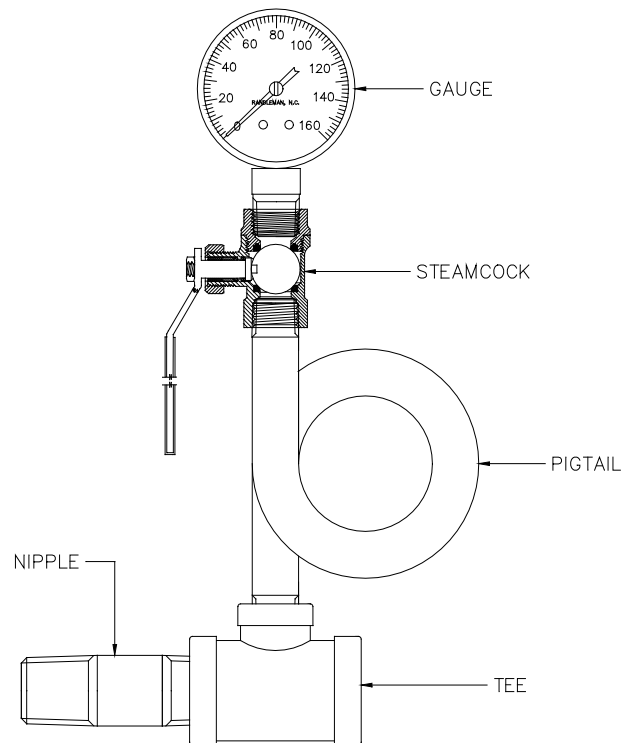
UNITED BRASS WORKS, INC
714 S. Main St.. Randleman, N.C. 27317
Phone: 800/334-3035 Fax: 800/498-4696 www.ubw.com



Model 1001K Reducing Valve Installation Kit

Kits Available From 1/4" – 2"

*Install on outlet side
of pressure reducing valve
for accurate measurement
of steam pressure.*



CROSS REFERENCE CHARTS

United Brass Works	Jenkins	Fairbanks	Powell	Crane	Walworth	Stockham	Lunkenheimer	Kennedy	Hammond	Ohio Brass
15	370	0250	507	438	4	B103	2129	427	1B645 & 606	2500
17	47	0252	500S	431	55	B107	2127	425	1B640 & 690	9100
18	275-U	0222	1153M	459		B133		66	1B681	
25WT	121W		1903	7 ½ ¹⁴			444	970 OR 971		5801 ²
44			904 ³							
50	655A ¹	0607	116 ²³	239C w/6 disc	597 ⁸		233 ¹	891 ¹		
50LS	756	0607				B337s		137 ⁸		
50T	655A ¹						233 w/ 60 disc	891 w/8764		
50TLS				239 w/4 disc	167 ³	332		137 ¹³	1B958	
62	762A ^{2,3}	0605 ⁹	560Y ⁹	36 ^{2,9}	420 ²⁹	B345 ⁹	554 ^{2,9}	444 ^{2,9}	1B949 ⁹	806 ²
62S										
62T										
63		0642		76E ⁹	3428	B375	624 ⁹			
76										408
77	744G		181 ¹²	89	124	B264 ^{2,12}	907BS		1B475	402
79	743G	041	180 ¹²	88	120	B64 ^{2,12}	906BS		1B415	401
80	1101T		4210T		575		707XLT			100B
81T	750 ^{2,3}	029 ³	110 ^{2,3}	212C ^{2,10}		B32		134 ²³	1B420T	801 ²
90										
99	92A ^{9,17}	0600	578 ¹⁷	37 ^{17,20}	406 ⁹	B319 ¹⁷	2144	440 ^{9,17}	9351B940 ⁹ & 904 ¹⁷	106 ¹⁷
99S	352 ^{16,17}					B320 ^{8,17}			1B942 ^{8,9}	106X ¹⁷
99T						B320 ^{9,17}				
125MM	746 ¹⁷	845	650 ¹⁷	1 ¹⁷	58	B16 ¹⁷	2140	150 ¹⁷	1B440 & 401 ¹⁷	101 ¹⁷
125T				1310 w/10 disc ¹⁷		B13 ¹⁷		97 w/8764 ¹⁷	404S ¹²	1501 ¹⁷
126MM		046	651 ¹⁷	2 ¹⁷	59	B216 ¹⁷	2141	151 ¹⁷	1B463 & 451 ¹⁵	102 ¹⁷
126T				1310 w/10 disc ¹⁷		B213 ¹⁷		98 w/8764 ¹⁷		1502 ¹⁷
200							3699 ½			1B427 ^{2,3,14}
226UT	124 ¹					B9 B11 ^{7,13}	180 ^{3,11}			
325U			540 ¹⁹							
235										
350T				366E ^{3,21}		B367 ^{3,11,21}	413 ³			
350TLS		0608 ³		366E ³		B367 ^{3,11}				
381T		0529 ³ 0514 ¹⁹		382 ^{3,10}	3205 ³	B66 ³	409 ³			
425										
525										
625										
725										
905			Set				589			
910			Set							
911			889							
946			884	250 WSP No. 131						

¹ UBW 200PSI WSP, Not 150

² UBW ASTMB62, Not B61

³ UBW Non-Metallic, Not Metal to Metal

⁴ UBW 200WSP, Not WOG

⁵ UBW Union Bonnet, Not Screw Over

⁶ UBW Union Bonnet, Not Screwed

⁷ UBW 200WSP, Not 125WSP

⁸ UBW Std. With Rubber Disc

⁹ UBW Non-Regrinding

¹⁰ UBW Integral Seat

¹¹ UBW Bronze Seat

¹² UBW screwed Bonnet, Non Union

¹³ PTFE* Disc, Non Composition

¹⁴ UBW 200 WSP

¹⁵ UBW Has Swivel Disc

¹⁶ UBW 200 WOG, Not 300 WOG

¹⁷ UBW Body Material ASTM B584 C84400

¹⁸ UBW UL Approved 2"

¹⁹ UBW 300 PSI WSP

²⁰ UBW Straight Not Y Pattern

²¹ UBW Spring Loaded

CROSS REFERENCE CHARTS

United Brass Works	American Valve	Milwaukee	Central Brass	Nibco	Grinnell	Sierra	Guardian	Allen/Moon	Elkhart	Powhatan	Everlasting
15	3	1105		T113							
17	4	1150		T131							
18				T104-0	66						
25WT											
44			620-624								
50											
50LS											
50T											
50TLS											
62		518 ⁹	T453B ⁹								
62S			T453W ⁹								
62T			T453Y								
63		507 ⁹		T473	3370						
76				KT-291-W3	2940						
77			629 ⁴								
79		600	628 ⁴								
80				KT-580	3500						
81T		575		T255Y ²							
90				W-900-W							
99	31	509M ¹⁷		T413B ^{9,17}							
99S		511		T413W ^{9,17}	2950						
99T				T413Y ^{9,17}							
125MM	13	502 ¹⁷	613	T211B ¹⁷							
125t	13F ¹³	501	600	T211Y ¹⁷	3210						
126MM	14	504M ¹⁷		T311B ¹⁷							
126T	14F ¹³	503	601	T311Y ¹⁷							
200											
226UT				T213 ⁷							
325U											
235				2960						23-148	
350T											
350TLS											
381T		572 ⁹		T275Y	3251						
425											4000-A 4000-S
525											4060-A 4060-S
625											4001-A 4001-S
725											4061-A 4061-S
905											
910											
911											
946											

¹ UBW 200PSI WSP, Not 150
² UBW ASTMB62, Not B61
³ UBW Non-Metallic, Not Metal to Metal
⁴ UBW 200WSP, Not WOG
⁵ UBW Union Bonnet, Not Screw Over
⁶ UBW Union Bonnet, Not Screwed

⁷ UBW 200WSP, Not 125WSP
⁸ UBW Std. With Rubber Disc
⁹ UBW Non-Regrinding
¹⁰ UBW Integral Seat
¹¹ UBW Bronze Seat
¹² UBW screwed Bonnet, Non Union

¹³ PTFE* Disc, Non Composition
¹⁴ UBW 200 WSP
¹⁵ UBW Has Swivel Disc
¹⁶ UBW 200 WOG, Not 300 WOG
¹⁷ UBW Body Material ASTM B584 C84400
¹⁸ UBW UL Approved 2"

¹⁹ UBW 300 PSI WSP
²⁰ UBW Straight Not Y Pattern
²¹ UBW Spring Loaded

TERMS AND CONDITIONS OF SALE

1. United Brass Works, Inc. agrees to sell products pursuant to its standard terms and conditions, unless it agrees to other terms in writing signed by both parties. The printed provisions on the reverse of any customer Purchase Order or on any other form supplied unilaterally by any customer shall be deemed rejected by United Brass Works, Inc. and shall be void and of no effect.
2. Where shown, valves will be shipped in multiples of packaged quantities. Order quantities will be changed to coincide with multiples of packaged quantities.
3. All prices are listed net, FOB, Randleman, North Carolina with freight allowed in Bronze and/or Iron Valves of 750 lbs. or more to all points in the U.S. (excluding Alaska and Hawaii) and to the nearest port of embarkation for foreign shipments (including Alaska and Hawaii), on all orders and back orders United Brass' responsibility terminates upon receipt of a bill of lading by the carrier.
4. Minimum merchandise invoice amount shall be \$50.00 per order. All orders received for merchandise that totals to less than \$50.00 shall be invoiced at the minimum charge.
5. Prices are subject to change without notice and orders will be invoiced at price in effect at time of shipment.
6. Terms are thirty days net, provided credit is approved. Where no credit information is available, shipments will be made COD or sight draft Charge accounts are extended to businesses, institutions, and organizations only, not to individuals. To qualify for open account privileges, an account must be rated satisfactory in Dun & Bradstreet or supply names of three commercial vendors who have extended credit. Allow four weeks to establish account when references other than a satisfactory Dun & Bradstreet rating are furnished.
7. No material shall be accepted for credit or replacement without prior return authorization being obtained and an RMA number being issued for the material. All materials must be returned prepaid.
8. This warranty gives you specific legal rights, and you may also have other rights which vary from state to state. During the first ninety (90) days after date of delivery of this product to the original purchaser. United Brass Works, Inc., will remedy any defect or malfunction found therein. However, the original purchaser shall be responsible for all labor costs. United Brass Works, Inc., extends this limited 90-Day Warranty to the original purchaser of this product only, and not to any subsequent transferees.

This warranty does not apply to conditions resulting from improper installation, inadequate maintenance, misuse, abuse, accident or alteration. This is the only warranty applicable to products manufactured by United Brass Works, Inc., and the Company neither assumes nor authorizes anyone to assume for it any other obligation or liability in connection with such products.

ANY IMPLIED WARRANTIES OR MERCHANTABILITY OR FITNESS FOR A PARTICULAR PURPOSE SHALL BE LIMITED IN DURATION TO THE PERIOD OF THE ABOVE 90-DAY WARRANTY. SOME STATES DO NOT ALLOW LIMITATIONS ON HOW LONG AN IMPLIED WARRANTY LASTS, SO THE ABOVE LIMITATION MAY NOT APPLY TO YOU.

UNITED BRASS WORKS, INC., SHALL NOT BE LIABLE FOR COMMERCIAL CONSEQUENTIAL DAMAGES SUCH AS PROPERTY DAMAGES AND INCIDENTAL EXPENSES RESULTING FROM BREACH OF THIS WARRANTY. SOME STATES DO NOT ALLOW THE EXCLUSION OR LIMITATION OF INCIDENTAL OR CONSEQUENTIAL DAMAGES, SO THE ABOVE LIMITATION OR EXCLUSION MAY NOT APPLY TO YOU.

9. All United Brass merchandise may be returned for credit if unused and in new condition after receipt of prior authorization within 60 days of purchase. Merchandise will not be accepted for return beyond 60 days after purchase. (This does not apply to defective merchandise.) A 15% restocking charge will be levied unless United Brass Works was in error. **Please call for Return Material Authorization number before returning merchandise.**
10. There will be a 15% surcharge on all merchandise drop shipped unless the invoice amount exceeds \$50.00.
11. All claims for short shipments must be made within 10 days of receipt of material. Claims made after 10 days of receipt will not be honored.
12. United Brass Works, Inc., reserves the right to ship orders by means we deem most expedient and least expensive unless your order contains specific instructions and provided these instructions do not entail additional expense for the company.
13. All cancellations must be in writing and any expense incurred processing your order prior to the cancellation shall be invoiced to you.
14. All telephone and telegraph orders must be confirmed in writing.
15. All orders taken by salesmen are subject to approval by home office.
16. United Brass Works, Inc., reserves the right to make partial shipment if such is necessary, unless order has specific instruction to the contrary.
17. All delivery dates are approximate and United Brass Works, Inc., is not responsible for failure to meet dates specified.