



**UNITED BRASS WORKS, INC.**  
 714 S. Main St. Randleman, N.C. 27317  
 Tel: 800-334-3035 Fax: 800-498-4696 www.ubw.com



## Model 3060 3/4" Float Valve

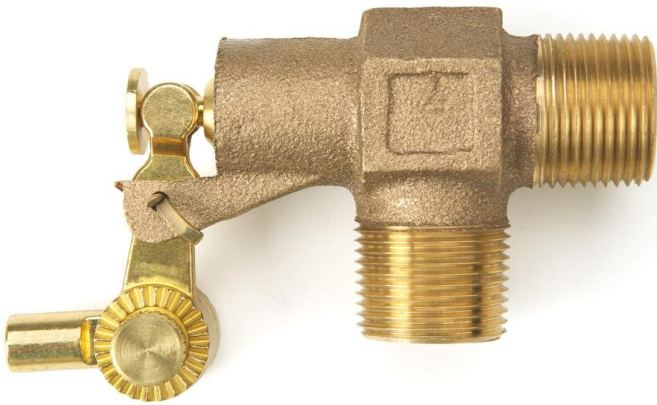
**Max Inlet Water Pressure 50PSI**  
**Max Operating Temperature 300° F**

**Bronze Body**

**Brass Piston**

**EPDM Disc & O-Ring**

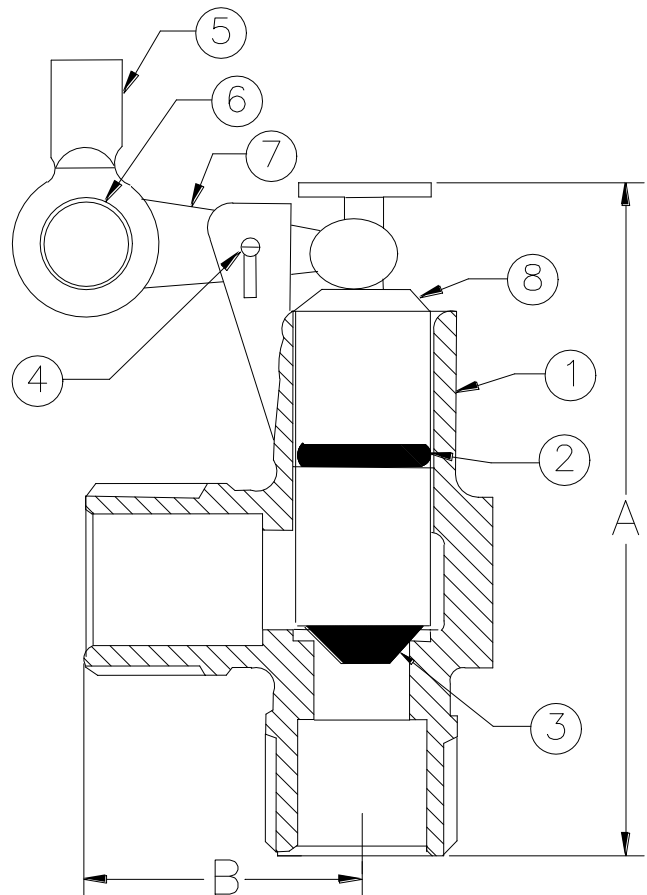
**\*Contains Lead. Not Intended for Use in Potable Water Systems.**



**Available Without Piston O-Ring**  
**As Part 3060FU**

## MATERIAL LIST

NO.	DESCRIPTION	MATERIAL
1	Body	Bronze
2	O-Ring	EPDM
3	Disc	EPDM
4	Cotter Pin	Brass
5	Short Arm	Brass
6	Thumb Screw	Brass
7	Long Arm	Brass
8	Piston	Brass



Size	3/4"
A	3.68
B	1.60
Ship Wt. (lbs.)	0.94
Qty. Per Carton	12