



UNITED BRASS WORKS, INC
 714 S. Main St.. Randleman, N.C. 27317
 Phone: 800/334-3035 Fax: 800/498-4696 www.ubw.com



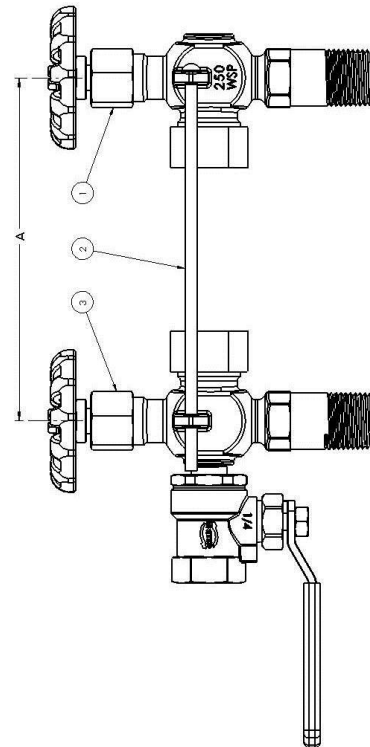
Model 34012 Short Shank Water Gauge Fixture Set W/Ball Valve for Blow Off

**250 WSP @ 406°F Max
 400WOG**

Rising Stem

***Contains lead. Not For Use In Water Systems
 Intended for Human Consumption***

CRN OCO7135.2C



MATERIAL LIST		
NO.	DESCRIPTION	MATERIAL
1	Upper Fixture	See Specs 905A
2	Protector Rods 14"	Steel
3	Lower Fixture	See Specs 946AXFS

**A To determine proper glass length, subtract 1 1/8" from center to center dimensions of the installed valves.*