



UNITED BRASS WORKS, INC.
 714 S. Main St. Randleman, N.C. 27317
 Tel: 800-334-3035 Fax: 800-498-4696 www.ubw.com

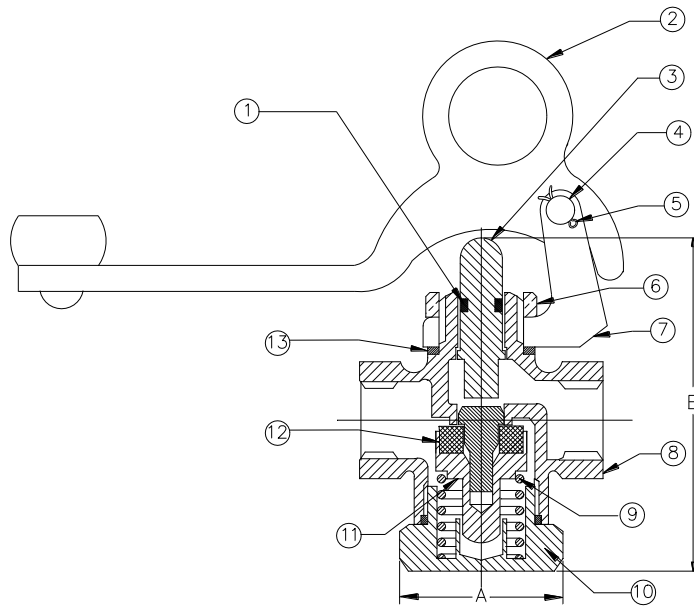


Model 44NY Whistle Valve
Quick-Opening Self-Closing Globe Valve
With Yoke & Loop Handle Lever

CRN OCO7135.2C
150WSP • 400 WOG
100% Pressure Tested
Threaded Ends
PTFE Disc • Integral Seat
***Contains Lead. Not Intended for Use in Potable**
Water Systems*

MATERIAL LIST

NO.	DESCRIPTION	MATERIAL
1	O-Ring	008 TFE/P
2	Lever	Bronze
3	Stem	Stainless Steel
4	Clevis Pin	Steel
5	Cotter Pin	Steel
6	Lock Nut	Brass
7	Yoke	Bronze
8	Body	Bronze
9	Spring	Stainless Steel
10	Cap	Brass
11	Disc Holder	Brass
12	Disc	PTFE
13	Washer	Copper



	A	B	Qty. Per Ctn.
44NY 1/4"	1.88	2.50	12