



UNITED BRASS WORKS, INC.

714 S. Main St. Randleman, N.C. 27317

Tel: 800-334-3035 Fax: 800-498-4696 www.ubw.com



Model 44SS Whistle Valve
Quick-Opening Self-Closing Globe Valve
With Yoke & Lever

CRN OCO7135.2C

Built-In Strainer Screen

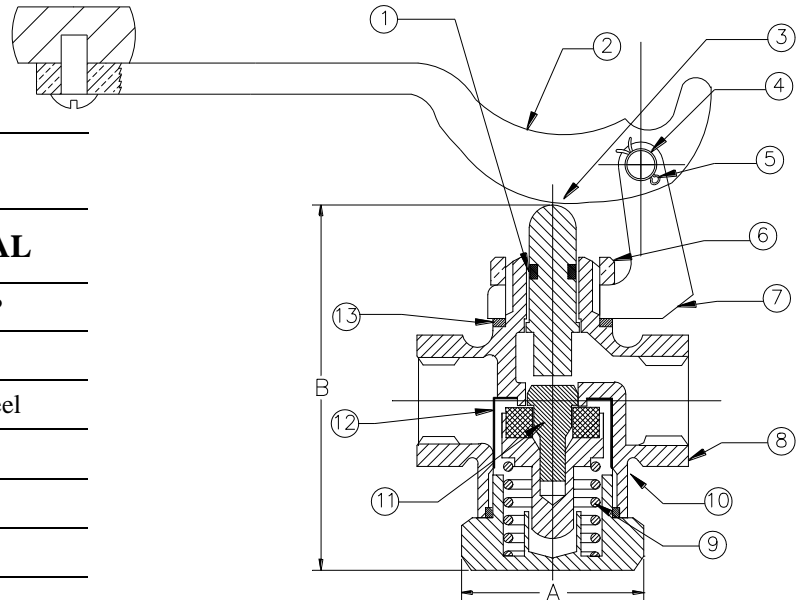
150WSP • 400 WOG

100% Pressure Tested

Threaded Ends

PTFE Disc • Integral Seat

Contains Lead. Not Intended for Use in Potable Water Systems



MATERIAL LIST

NO.	DESCRIPTION	MATERIAL
1	O-Ring	008 TFE/P
2	Lever	Bronze
3	Stem	Stainless Steel
4	Clevis Pin	Steel
5	Cotter Pin	Steel
6	Lock Nut	Brass
7	Yoke	Bronze
8	Body	Bronze
9	Spring	Stainless Steel
10	Cap	Brass
11	Disc Holder	Brass
12	Screen	Stainless Steel
13	Lock Washer	Copper

	A	B	Qty. Per Ctn.
44SS 1/4"	1.88	2.50	12